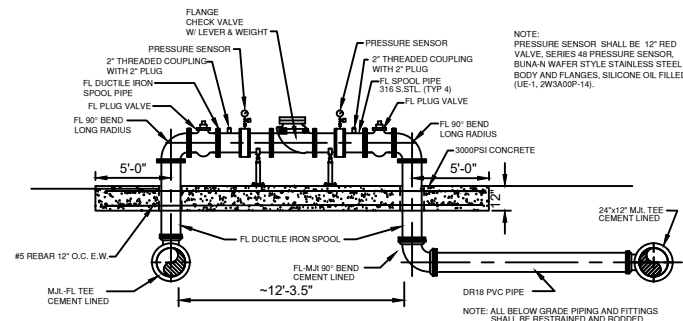
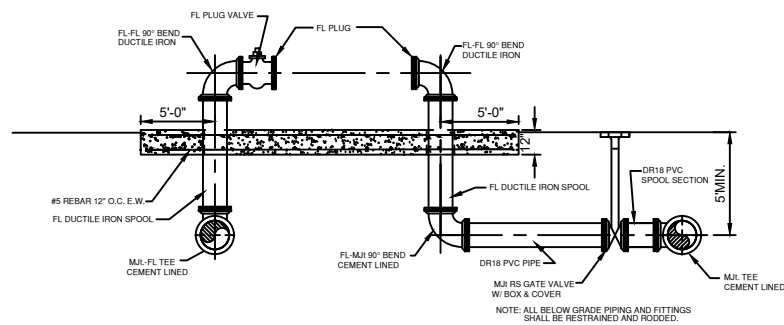


PUMP PIPING DETAIL



PRESSURE CONTROL STATION



FUTURE PUMP PIPING DETAIL

STANDBY BACKUP PUMP			
MANUFACTURER	HOLLAND	THOMPSON	XYLEM/GODWIN
MODEL			
ENGINE H.P.			
NPSHR			
FLOW GPM @TDH			
RPM			
DISCHARGE PIPE SIZE			
SUCTION PIPE SIZE			

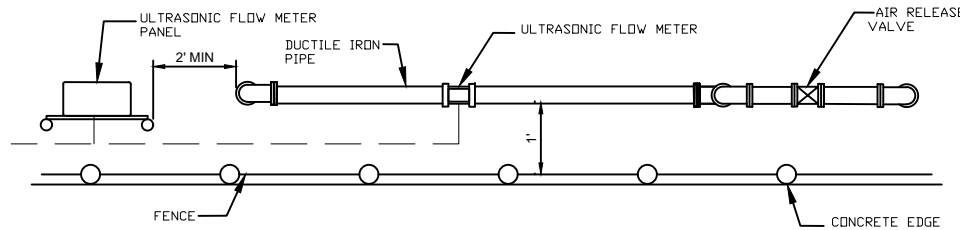
GENERATOR			
MANUFACTURER	AKSA	CATERPILLAR	CUMMINS
MODEL			
KW			

- PUMP STATION INFORMATION NOTES:**
- IF PUMP MANUFACTURER REQUIRES A GREATER SEPARATION, THAT SEPARATION SHALL BE USED WITH THE ADDITION OF FLANGED FILLERS OR SPOOL PIECES. THE DIFFERENT SEPARATION MUST BE APPROVED BY JEA PRIOR TO CONSTRUCTION AND SHALL BE PROVIDED AT NO ADDITIONAL COST TO JEA.
 - ALL PUMP MOTORS SHALL BE 3 PHASE.
 - MANUAL TRANSFER SWITCH SHALL BE INSTALLED.

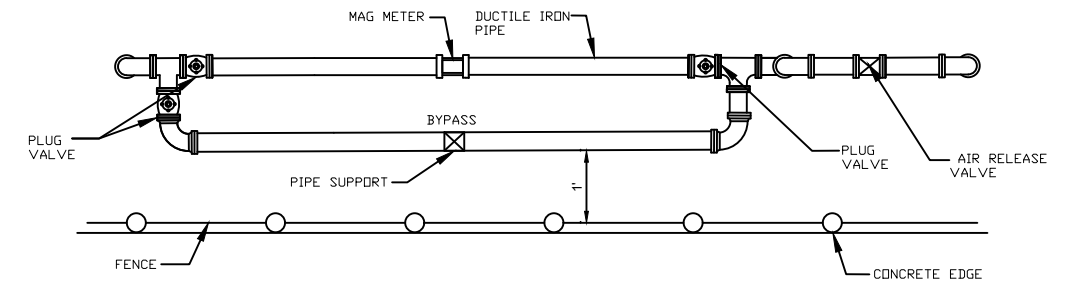
- CONSTRUCTION NOTES:**
- SLOPE CONCRETE TO DRAIN TOWARDS STREET OR OTHER ADJACENT CITY OR JEA OWNED DRAINAGE FACILITY.
 - CONTRACTOR MUST MAINTAIN LANDSCAPING UNTIL FINAL ACCEPTANCE AND SUPPLY ONE (1) YEAR WARRANTY FROM NURSERY SUPPLYING PLANTS FROM DATE OF ACCEPTANCE.
 - SEE GROUNDING PLAN FOR ELECTRICAL SERVICE GROUNDING REQUIREMENTS (SEE JEA.COM).
 - CONTRACTOR SHALL KEEP COMPANY SIGN AND PHONE NUMBER ON FENCE UNTIL STATION ACCEPTED.
 - TRANSFORMERS SHALL BE LOCATED ON THE SAME SIDE OF PROPERTY AS METER CAN AND ELECTRICAL PANELS.

- GENERAL NOTES:**
- ALL WORK SHALL COMPLY WITH SPECIFICATIONS, SECTION XXX, "IN-LINE BOOSTER WATER PUMP STATION" JEA WATER AND WASTEWATER STANDARDS MANUAL.
 - PENETRATION SOIL BORING INFORMATION, TAKEN AT STATION LOCATION, SHALL BE SUBMITTED PRIOR TO SHOP DRAWING SUBMITTAL. SOIL BORING SHALL BE A MINIMUM OF 15' DEEP OR UNTIL SUITABLE SOIL IS LOCATED.
 - ALL PIPING SHALL BE FLANGED SCHEDULE 40, 316 STAINLESS STEEL. BUTT WELDING OF ANY PIPING IS NOT ALLOWED.
 - UNDERGROUND FITTINGS (90s, 45s, TEES ETC.) SHALL BE FLANGED DUCTILE IRON EPOXY LINED. ABOVE GROUND FITTINGS (90s, 45s, TEES ETC.) SHALL BE FLANGED SCHEDULE 40, 316 STAINLESS STEEL.
 - ALL NUTS, BOLTS AND ACCESSORIES SHALL BE 316 STAINLESS STEEL AND SHALL BE COATED WITH A "NEVER SEIZE" TYPE COATING.
 - SITE GRADE IS 6" (MIN) BELOW TOP ELEVATION OF PUMP STATION SLAB.
 - IN SILTS, CLAY OR HIGHLY ORGANIC SOILS (FINE-GRAINED SOILS INCLUDING SOIL GROUPS ML, CL, OL, MH, CH, OH AND PT) THE SOILS SHALL BE OVER-EXCAVATED AN ADDITIONAL 12" (AT A MIN.) AND BACKFILL WITH GRANULAR BACKFILL (57 STONE).
 - SEE JEA STANDARD SHEETS (AVAILABLE AT JEA.COM) FOR CONSTRUCTION DETAILS OF SPECIFIC COMPONENTS, INCLUDING ELECTRICAL, LANDSCAPING AND FENCING.
 - SEE REFERENCE FACILITIES STANDARDS DIVISION 26 FOR GENERATOR AND ATS. ([HTTPS://WWW.JEA.COM/ENGINEERING_AND_CONSTRUCTION/FACILITIES/](https://www.jea.com/engineering_and_construction/facilities/))

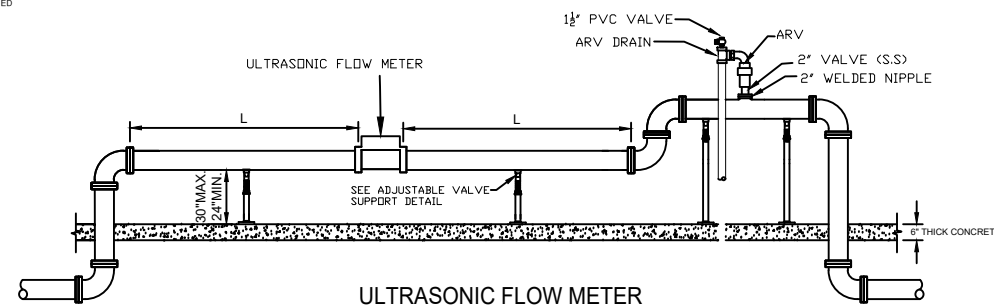
- DESIGN NOTES:**
- ENGINEER SHALL USE THIS PLAN AS A BASIS OF DESIGN FOR SITE SPECIFIC PUMP STATION. THESE NOTES TO BE ERASED ON COMPLETED DRAWING.
 - STATION MINIMUM FLOW RATE: 2001 GPM
 - MINIMUM ELECTRIC SERVICE SIZE: 480 VOLT, 200 AMP., 3 PHASE, 4 WIRE
 - MINIMUM CONCRETE PAD SIZE: 55'x60'
 - IT IS THE ENGINEER'S RESPONSIBILITY TO DESIGN THE SITE TO MEET FUNCTIONALITY AND SITE SPECIFIC CONDITIONS. HOWEVER, THE ENGINEER SHALL MAKE EVERY EFFORT TO CONFORM TO THE STANDARD DRAWING SHOWN HERE.
 - HOW TO DETERMINE TOWER OR POLE FOR SCADA (SEE ALSO SPEC SECTION 433): TO DETERMINE IF A POLE OR TOWER IS REQUIRED A RADIO PATH STUDY MUST FIRST BE CONDUCTED. THE RADIO PATH STUDY MUST BE DONE USING THE SAME TYPE OF RADIO USED IN THE SCADA PANEL AND MUST BE A MINIMUM OF -80DB RSSI. IF THE HEIGHT OF THE MINIMUM -80DB RSSI LEVEL IS LESS THAN OR EQUAL TO 20 FEET THEN A 20 FOOT POLE CAN BE USED. IF THE HEIGHT REQUIREMENTS ARE OVER 20 FEET THEN A TOWER MUST BE USED.



ULTRASONIC FLOW METER

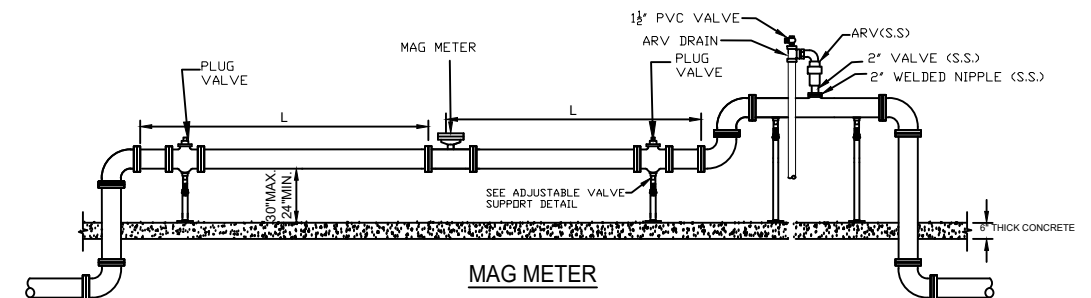


MAG METER BYPASS



ULTRASONIC FLOW METER DETAIL

NOT TO SCALE



MAG METER DETAIL

NOT TO SCALE

- METER NOTES:**
- DIMENSION "L" TO BE DESIGNED BY ENGINEER.

SITE SPECIFIC

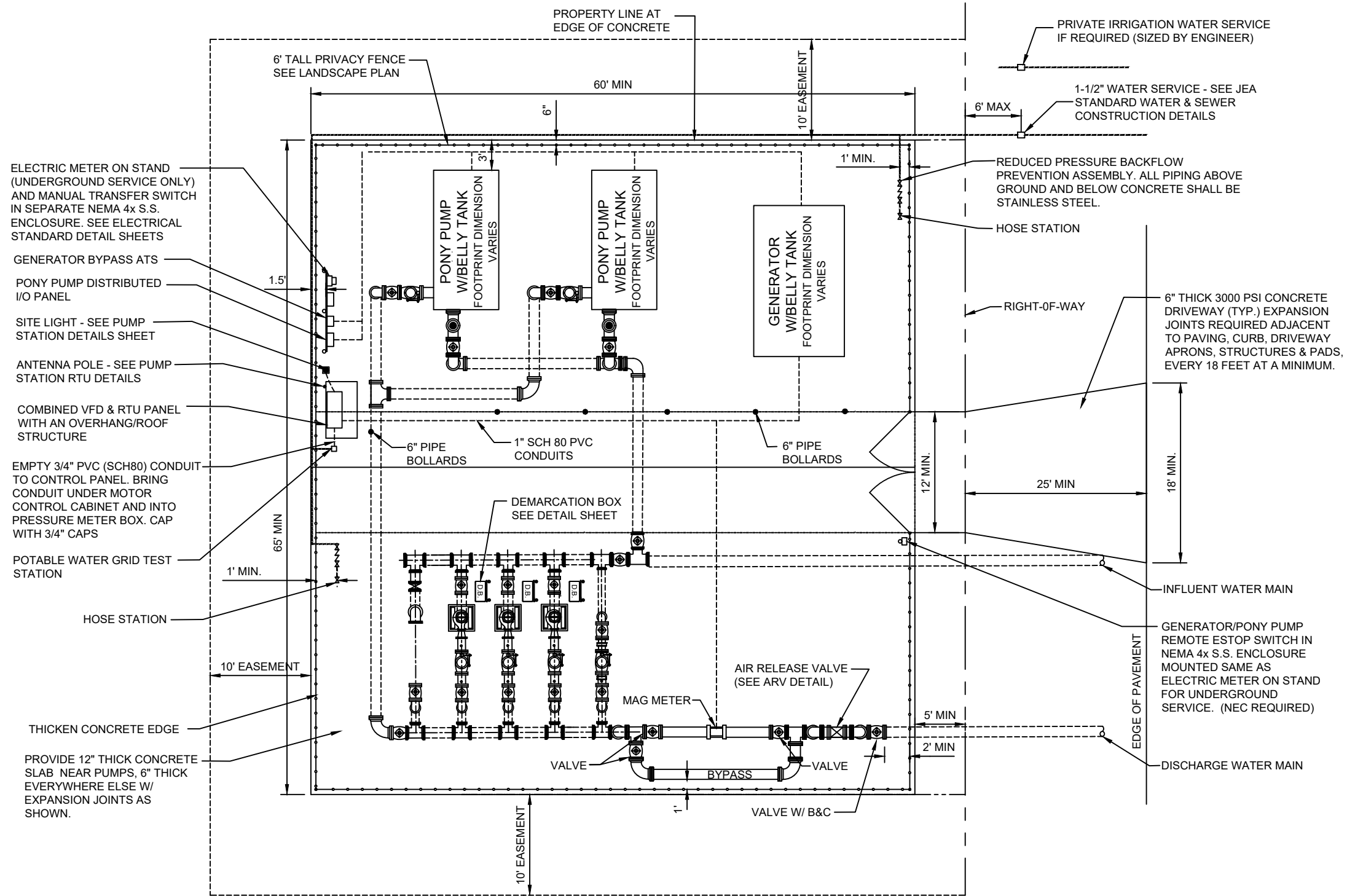
NO. SHEETS	SHEET NO.	DRAWING NO.	PROJ. NO.	DATE:	SCALE:	NTS	DESIGNER:	DRAWN BY:	CHECKED BY:	DATE:	DESIGN ENGINEER	FLORIDA REGISTRATION NO.	REVISIONS	
													NO.	DATE
													1	
													2	
													3	
													4	
													5	
													6	



JEA STANDARD
 IN-LINE WASTE/RECLAIMED BOOSTER STATION
 PLAN AND SECTION

NO. SHEETS	PROJ. NO.
SHEET NO.	DATE:
DRAWING NO.	SCALE:
	NTS

PUMP STATION INFORMATION									
PUMP STATION STREET ADDRESS	TOP ELEVATION	SITE FLOOD ELEVATION	DISCHARGE PIPE DIA.	DISCHARGE F.M. DIA.	PUMP MANUFACTURER	PUMP HORSEPOWER (HP)	PUMP DESIGN POINT (GPM)@TDH (FT)	PUMP RUNOUT POINT (GPM)@TDH (FT)	PUMP VOLTAGE
---	---	---	---	---	---	---	---	---	---
---	---	---	---	---	---	---	---	---	---
---	---	---	---	---	---	---	---	---	---



SITE SPECIFIC		NO.	DATE	BY
		1		
		DESIGN ENGINEER		
		FLORIDA REGISTRATION NO.		
JEA Building Community sm		DESIGNER		
		CHECKED BY		
JEA STANDARD INLINE WASTE/RECLAIMED BOOSTER STATION PLAN AND SECTION		PROJ. NO.		
		DATE		
		SCALE	NTS	
		DRAWING NO.		