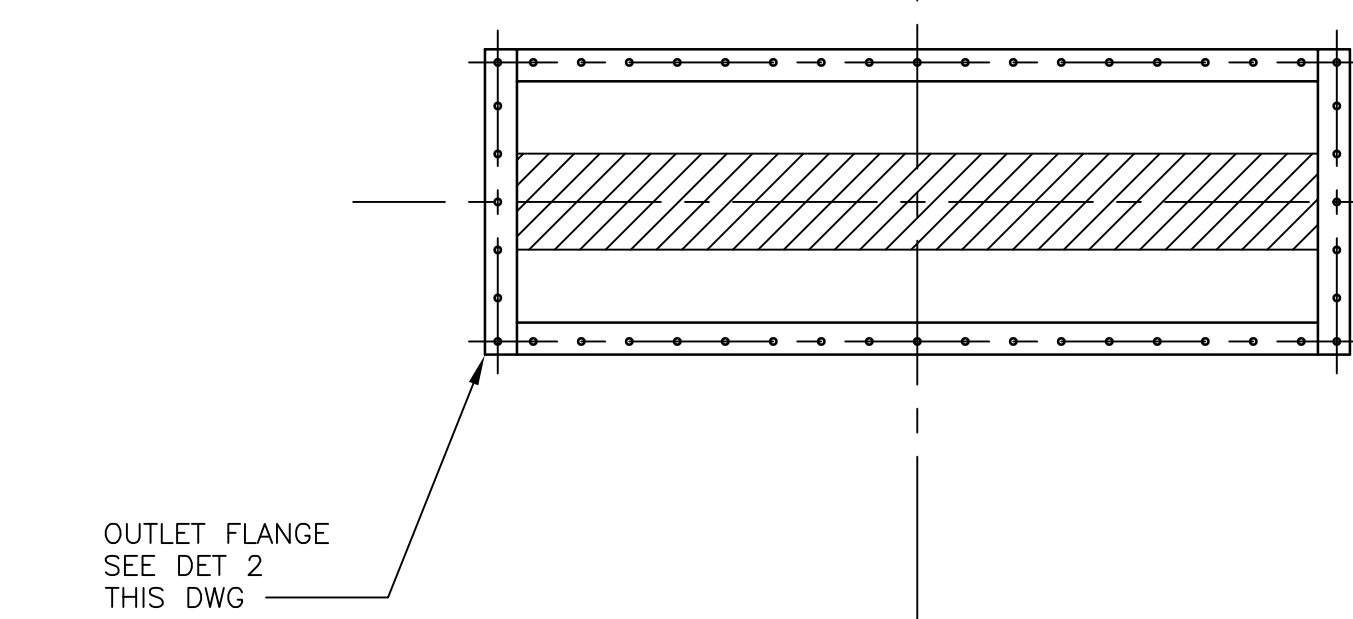
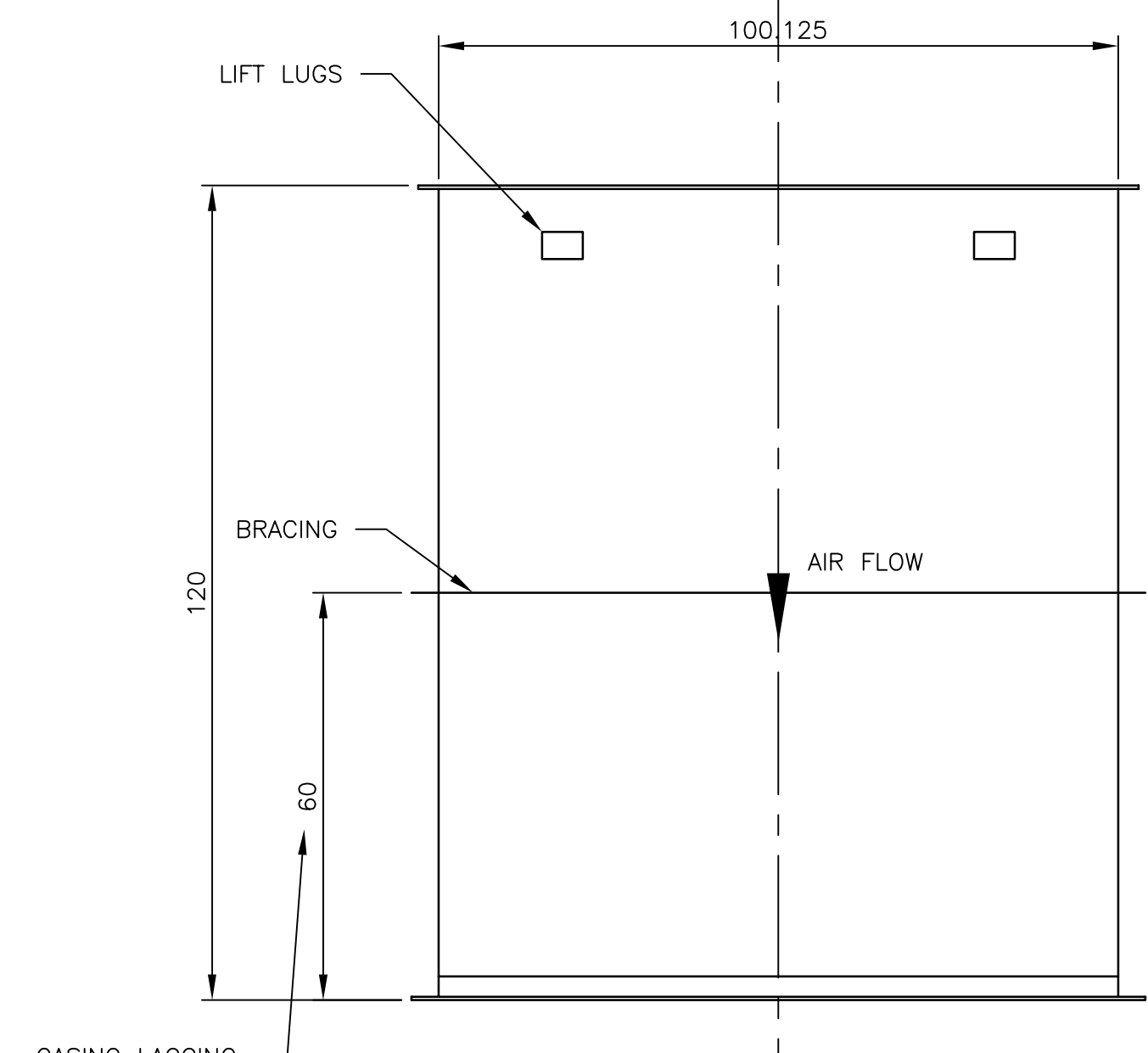
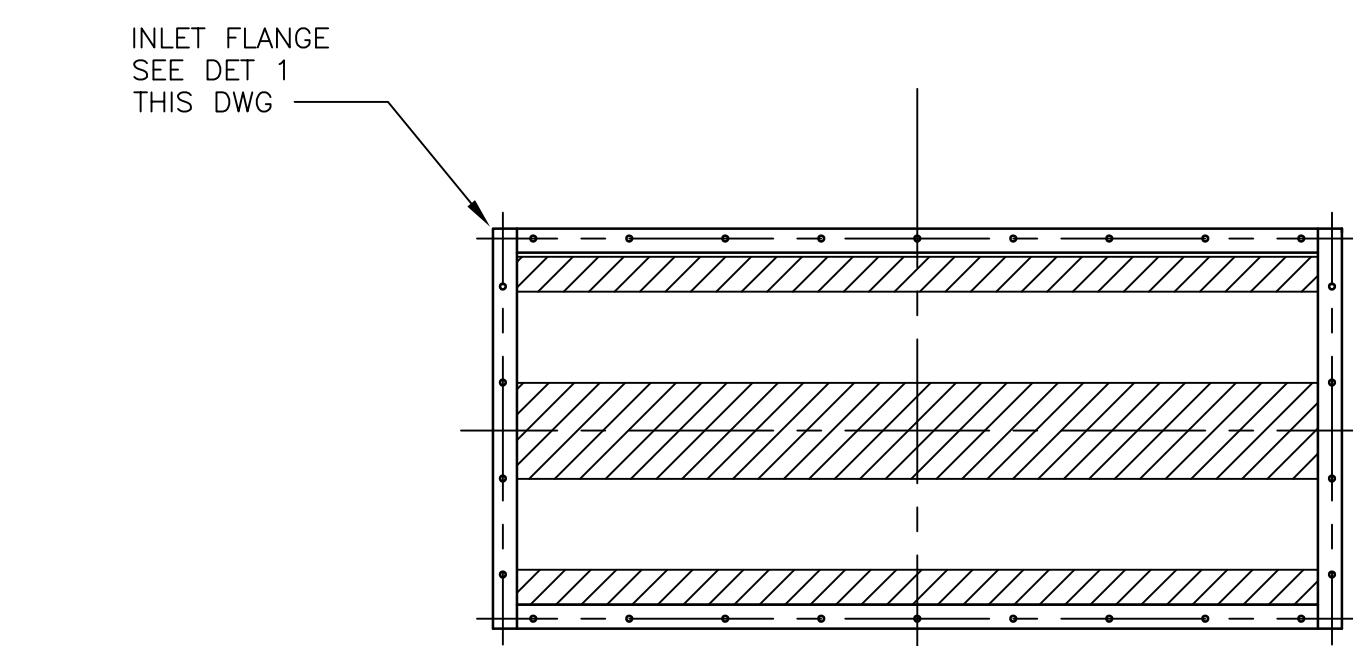
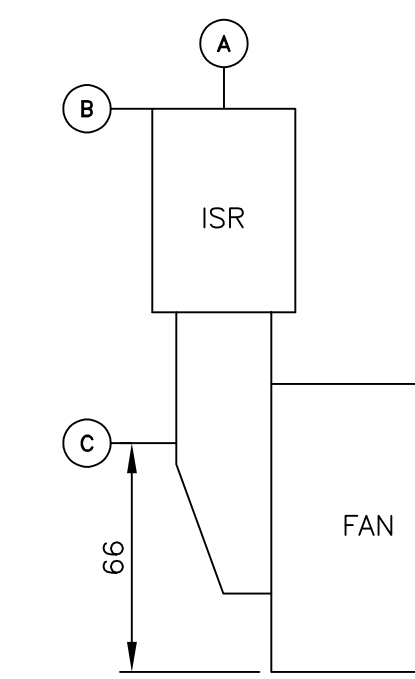


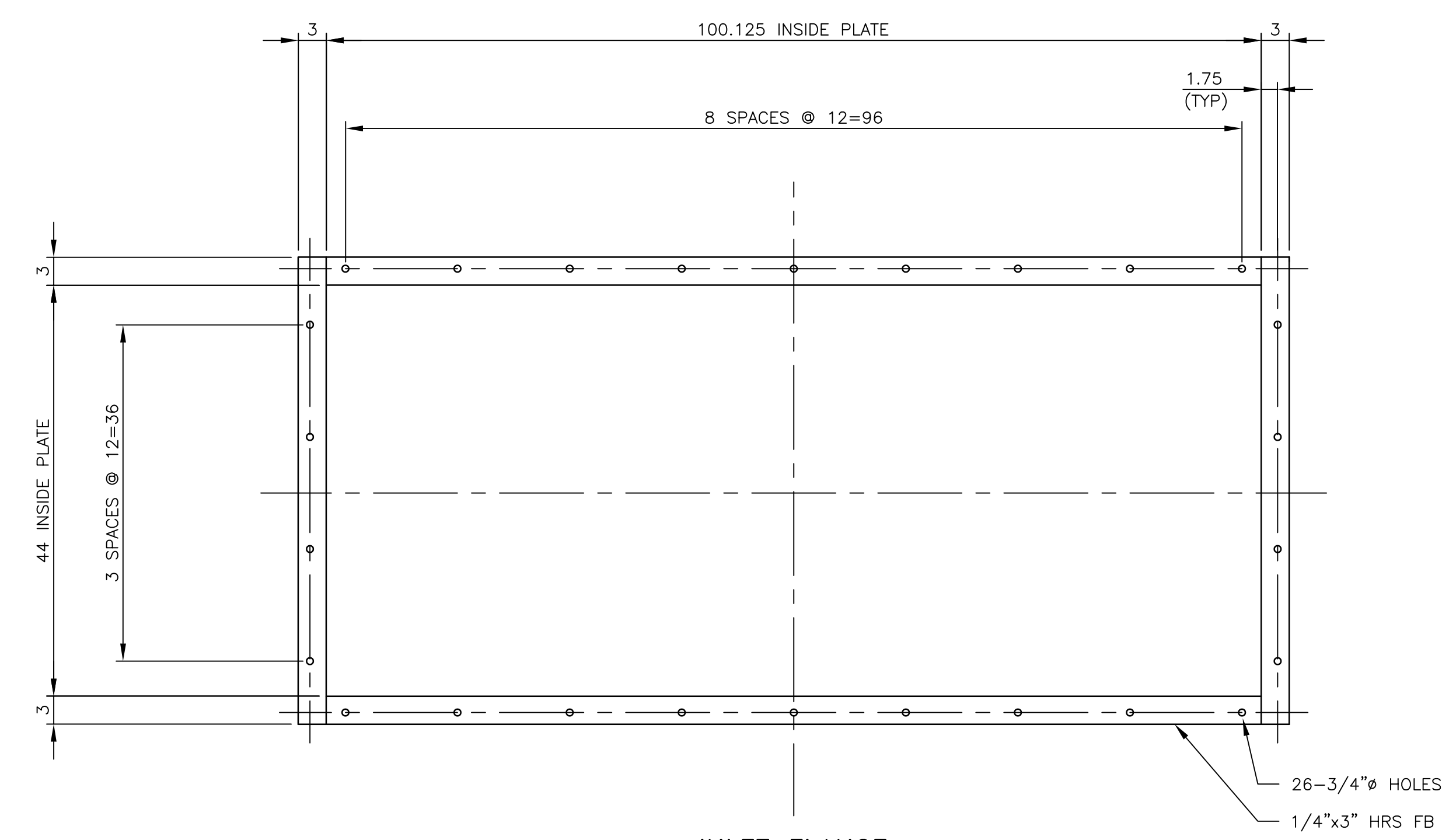
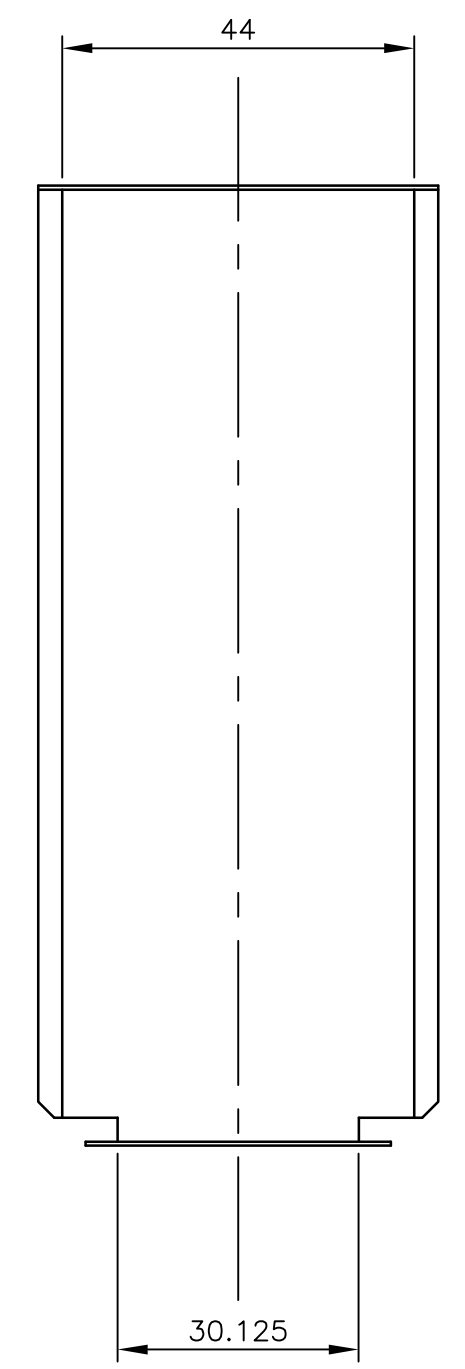
1. ALL DIMENSIONS ARE IN INCHES.
2. LIFT LUGS SHALL BE SHOP INSTALLED.

ACOUSTICAL CRITERIA:
82 dBd\A @ 3 FT

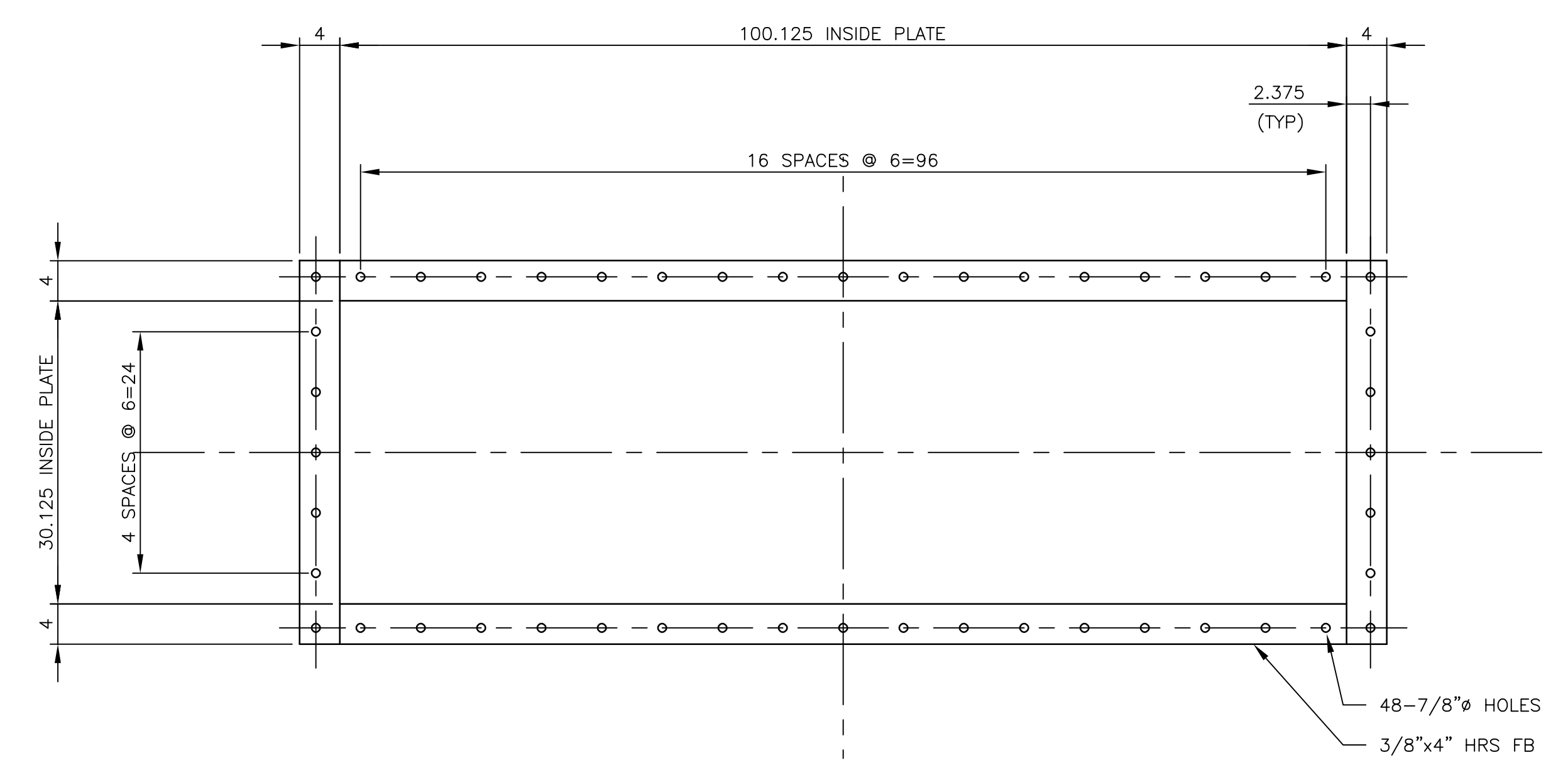
NOISE CRITERIA:
POSITION: C
CONDITIONS: FREE FIELD



INLET SILENCER
SCALE: 1/2"=1'-0"



**INLET FLANGE
DETAIL 1**
SCALE: 1"=1'-0"



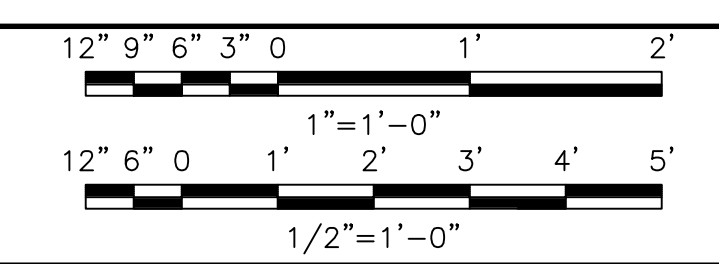
**OUTLET FLANGE
DETAIL 2**
SCALE: 1"=1'-0"

**NOT TO BE USED
FOR CONSTRUCTION**

THE DISTRIBUTION AND USE OF THE NATIVE FORMAT CAD FILE OF THIS DRAWING IS UNCONTROLLED. THE USER SHALL VERIFY TRACEABILITY OF THIS DRAWING TO THE LATEST CONTROLLED VERSION.

		32740 Glen Roy Parkway West Suite 2140 Jacksonville, Florida 32226 904.447.2200 www.blackveatch.com	PROJECT NORTHSIDE GENERATING STATION FAN INLET SILENCER REPLACEMENT PA FAN INLET SILENCER DETAILS	DRAWING NUMBER 401685-SM-0001	REV B
ENGINEER DSH	DRAWN DAS	CHECKED DATE	CODE	AREA	

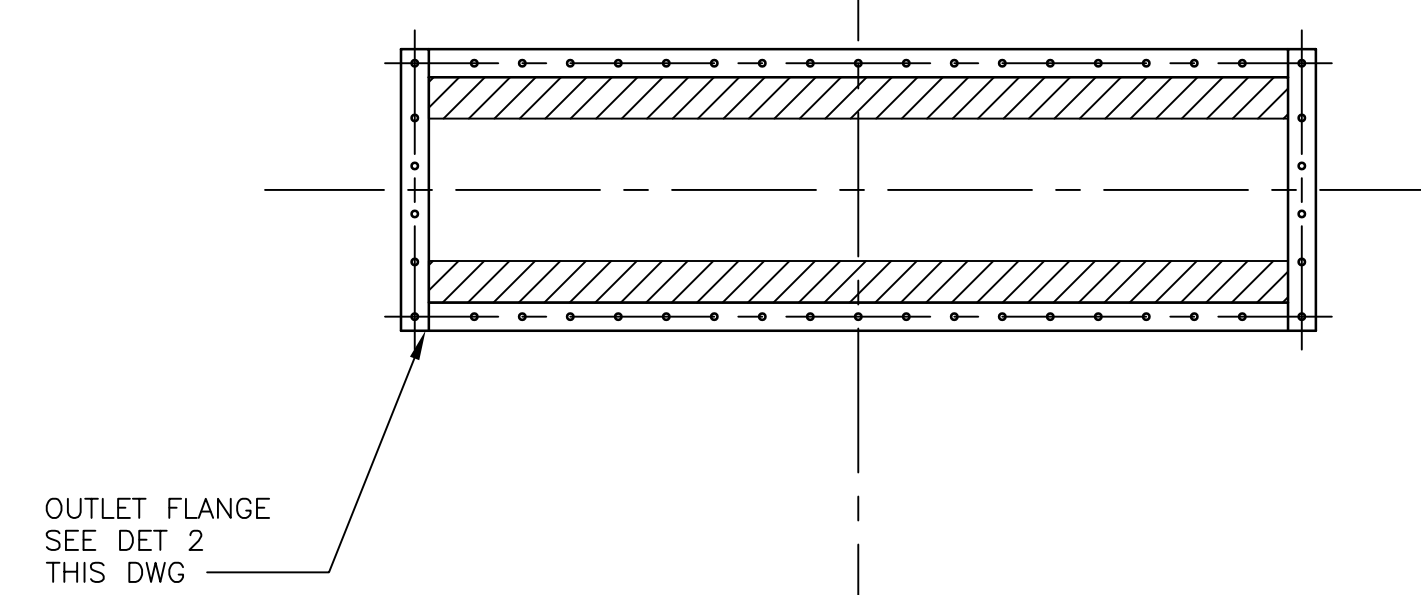
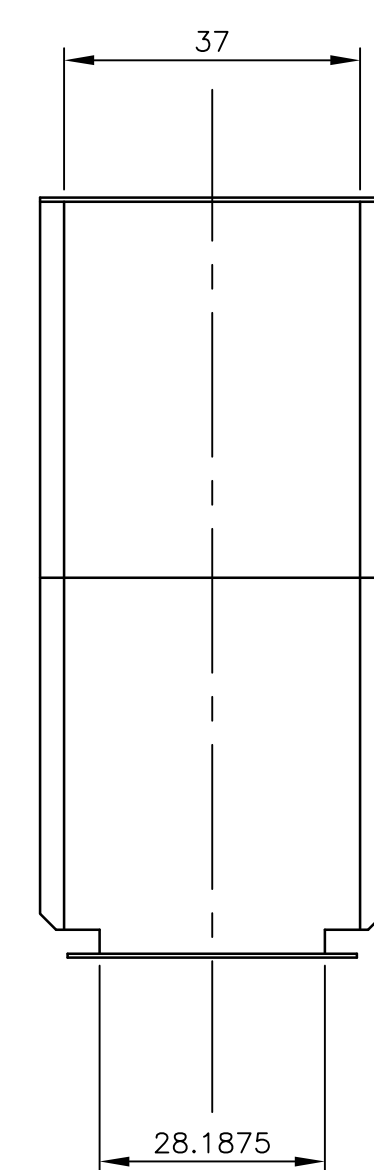
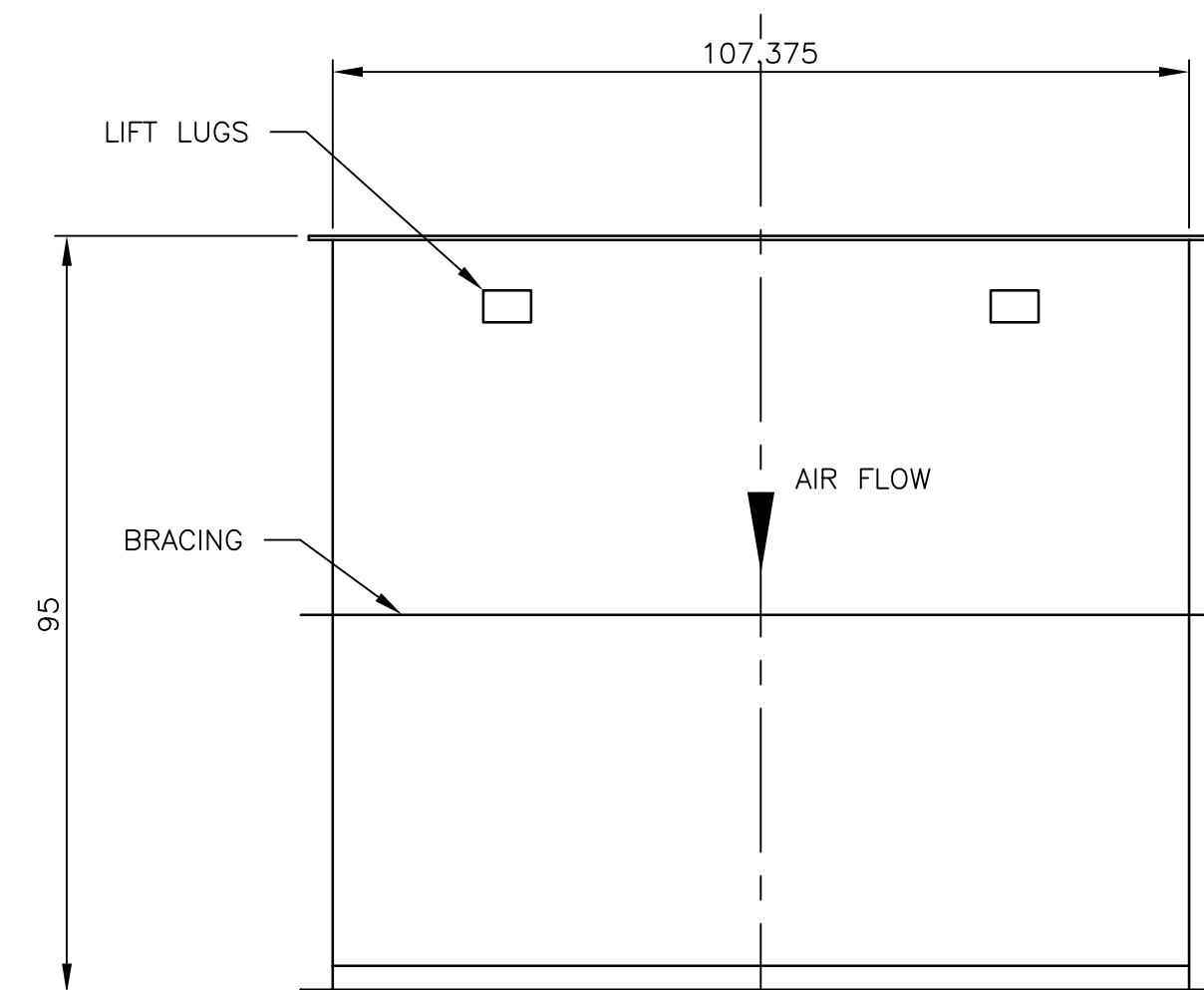
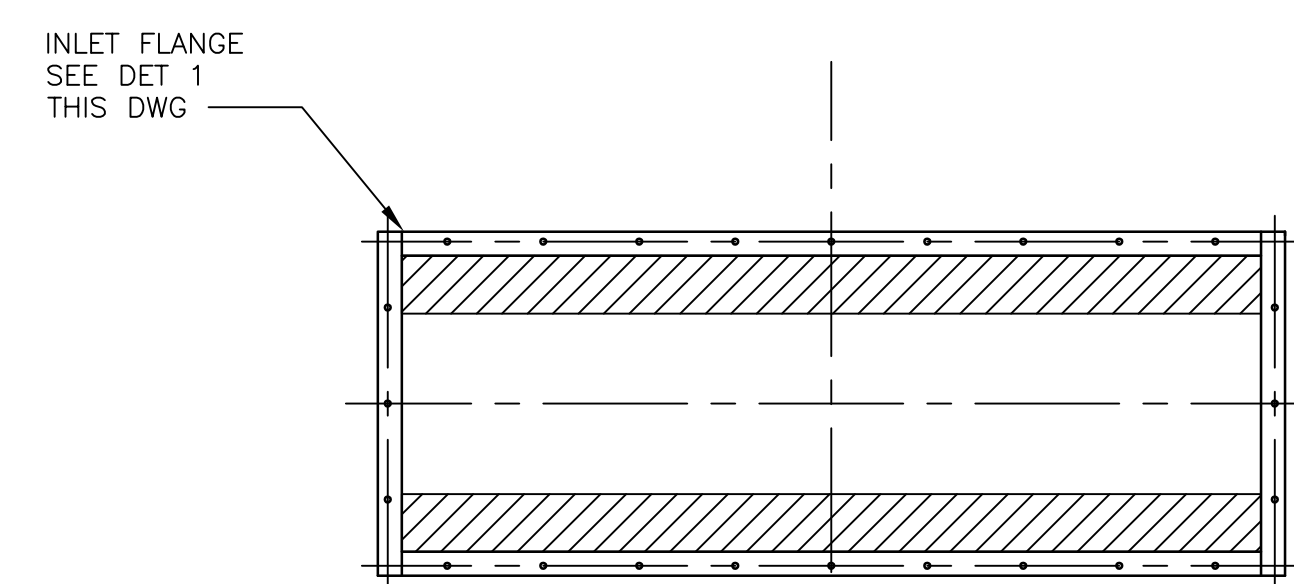
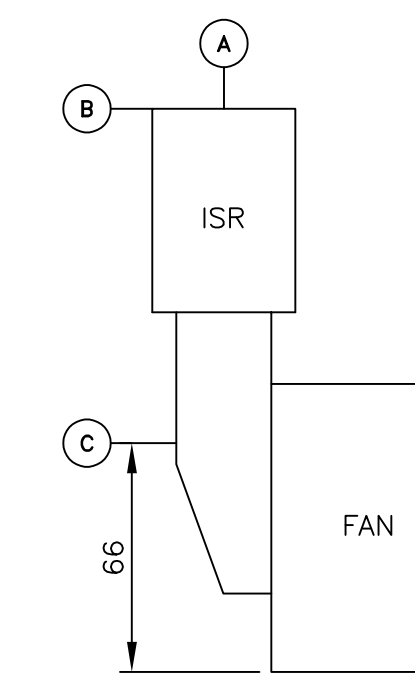
NO	DATE	REVISIONS AND RECORD OF ISSUE	DRN	DES	CHK	PDE	APP
B	24/MAR/2021	ISSUED FOR INFORMATION	DAS	DAS			DJH
A	29/MAY/2019	ISSUED FOR CLIENT REVIEW	DAS	DAS			MBB



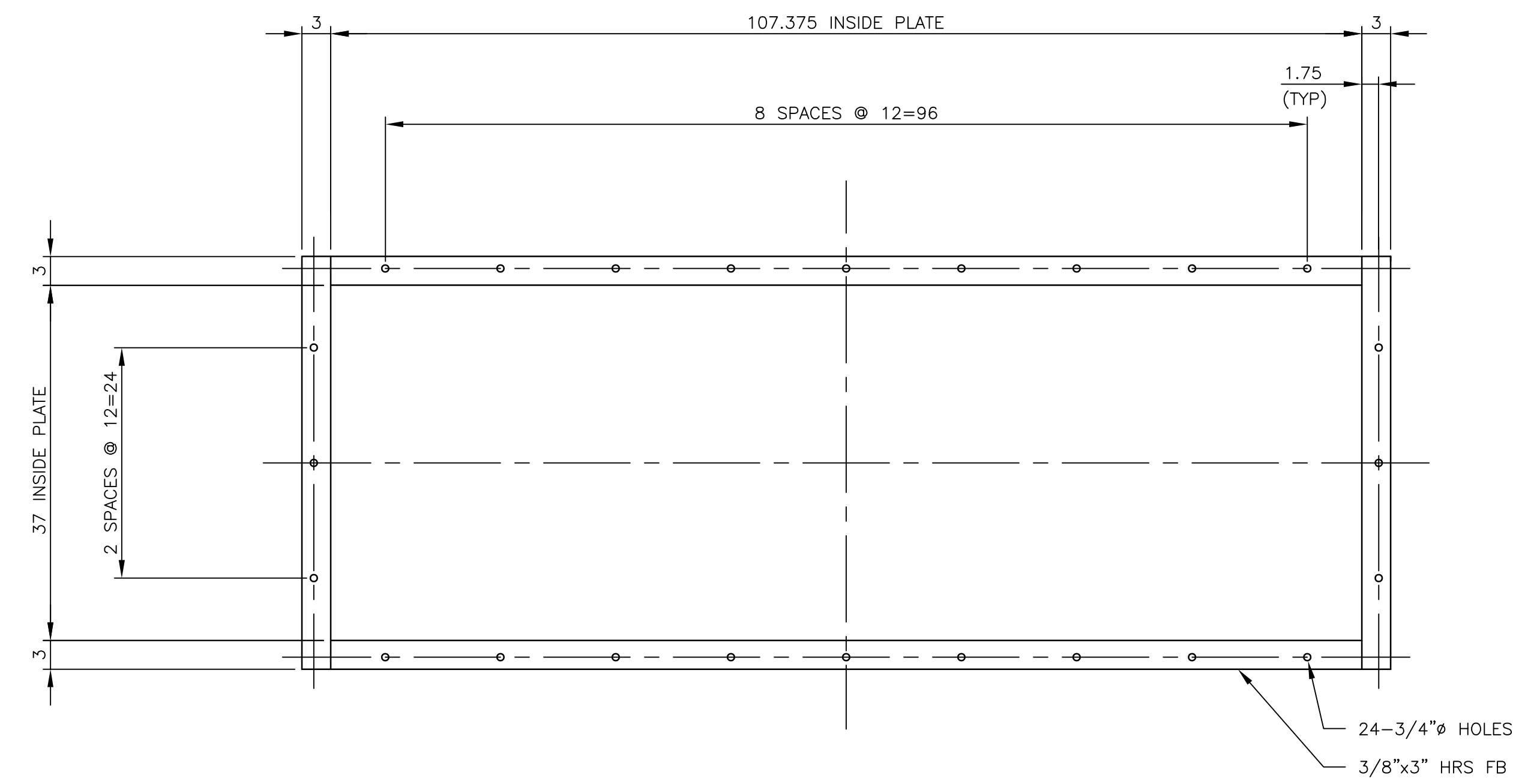
1. ALL DIMENSIONS ARE IN INCHES.
2. LIFT LUGS SHALL BE SHOP INSTALLED.

ACOUSTICAL CRITERIA:
82 dBd\A @ 3 FT

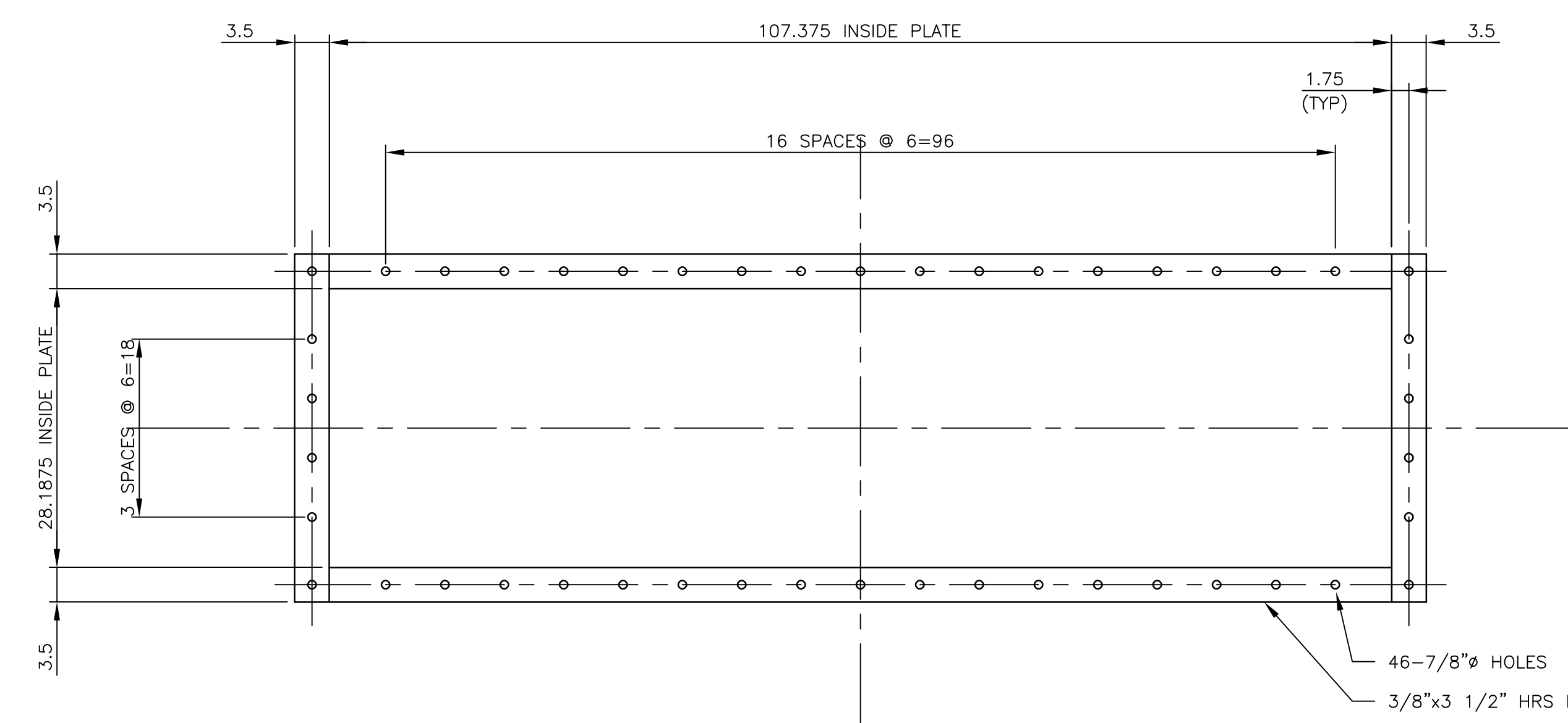
NOISE CRITERIA:
POSITION: C
CONDITIONS: FREE FIELD



INLET SILENCER
SCALE: 1/2"=1'-0"



**INLET FLANGE
DETAIL 1**
SCALE: 1"=1'-0"



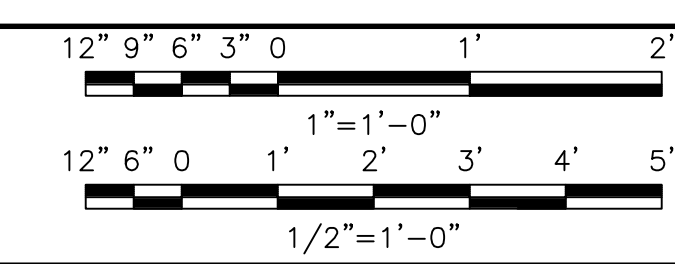
**OUTLET FLANGE
DETAIL 2**
SCALE: 1"=1'-0"

**NOT TO BE USED
FOR CONSTRUCTION**

THE DISTRIBUTION AND USE OF THE NATIVE FORMAT CAD FILE OF THIS DRAWING IS UNCONTROLLED. THE USER SHALL VERIFY TRACEABILITY OF THIS DRAWING TO THE LATEST CONTROLLED VERSION.

ANSI 4.404 02/14/2017 08:15 PM

NO	DATE	REVISIONS AND RECORD OF ISSUE	DRN	DES	CHK	PDE	APP
B	24/MAR/2021	ISSUED FOR INFORMATION	DAS	DAS	DJH		
A	29/MAY/2019	ISSUED FOR CLIENT REVIEW	DAS	DAS	MBB		



BLACK & VEATCH		32740 Glen Roy Parkway West Suite 2140 Jacksonville, Florida 32258 3125 Professional Seal of Architecture	
ENGINEER	DRN	DAS	
CHECKED	DATE		

JEA		PROJECT	DRAWING NUMBER	REV
NORTHSIDE GENERATING STATION		401685-SM-0002		B
FAN INLET SILENCER REPLACEMENT		CODE		
SA FAN INLET SILENCER		AREA		
DETAILS				