

## GENERAL LIGHTING NOTES:

1. MERCURY VAPOR

Mercury vapor luminaire plates are shown for the purpose of removal only. Any work will constitute replacement with the appropriate High Pressure Sodium (HPS) or Light Emitting Diode (LED) fixture.

2. HIGH PRESSURE SODIUM (HPS)

HPS fixtures are available in three wattages – 70, 200, and 250. The 70W HPS fixture is used almost exclusively for residential roadway lighting. The 200W HPS fixture is used primarily for light to moderately traveled roadways and the 250W HPS fixture for moderate to heavily traveled roadways.

3. METAL HALIDE (MH)

MH roadway lighting and floodlight fixtures are available in 320W (previously 400W). Decorative acorn lighting fixtures are available in 150W (previously 175W). The 400W and 175W fixtures can still be maintained with the appropriate lamp and/or ballast replacement. If the ballast or fixture is upgraded to the new wattage, then the lamp must be upgraded as well.

4. LIGHT EMITTING DIODE (LED)

LED lighting fixtures are available in multiple options. Cobra-head fixtures are available in 40W (70W HPS Equivalent), 115W (200/250W HPS Equivalent), and 275W (400W HPS Equivalent). The 115W LED cobra-head will replace both the 200W HPS and the 250W HPS. A LED post-top fixture is available in 40W (70W HPS Equivalent) as a direct replacement, as well as a retrofit. Decorative acorn lighting fixtures are also available in 100W (150W/175W MH). Currently, LED is the most efficient roadway lighting system.

5. PLATE SUFFIXES:

Add a "U" suffix to indicate underground lighting for L1, L2, and L3 (Example: L1U). The "U" suffix will include all the material on the plate, plus 30' of cable, the concrete pole, the fuse, fuse holder, and cover.

Add an "R" suffix to indicate a high pressure sodium replacement for L1, L2, L3 and L4 (Example: L1R). The "R" suffix will include a fixture, lamp, and photocontrol.

6. POLES

All non-decorative concrete street light poles should be plated with a G3C non-equipment ground, which will provide the necessary ground rod, clamps, and connectors. All metal poles should include a CLATG001 installed in the pole and connected to the ground wire.

All decorative aluminum street light poles with provisions for banner arms should be placed at a minimum of thirty-inches (30") from face of curb to face of pole to avoid banner arm overhang into the active roadway. JEA maintains the banner arm assembly, but is not responsible for hanging banners.

7. CONDUCTOR

12-2 UF without ground is the conductor used to supply voltage to the fixture. All fixtures, besides Series Type, have ballasts that require a 120V supply. Every streetlight bracket shall be grounded for personnel safety.

8. MAINTENANCE PLATES

<b>STREET LIGHT MAINTENANCE PLATES</b>		
<b>PLATE</b>	<b>DESCRIPTION</b>	<b>UNIT</b>
<b>LUMIN</b>	INSTALL LUMINAIRE	EA
<b>ULAMP</b>	INSTALL LAMP	EA
<b>UPHOTO</b>	INSTALL PHOTO CONTROL	EA
<b>BKTARM</b>	INSTALL BRACKET ARM	EA
<b>SLPOLE</b>	INSTALL STREET LIGHT POLE	EA
<b>PAINT-SLP</b>	PAINT STREET LIGHT POLE	EA
<b>PAINT-SLP1</b>	PAINT L4 STREET LIGHT POLE	EA

### UNDERGROUND FED LIGHTING NOTES:

1. If possible, the fuse shall be installed in the pole. All fiberglass and aluminum pole plates thus include the fuse, fuse holder, and cover. The cover is the smaller COVSP003. If the fuse must be installed in the pullbox, the USTSL plate should be used. The USTSL plate makes use of the larger COVSP002 which is waterproof.
2. The anchor base shall extend 1 inch maximum above final grade and must be set parallel to established reference line (back of curb, back of walk, survey base line, etc.) with a maximum deviation of ½ inch every 18 inches.
3. The pole opening at the base shall be in the direction of the feed. Three feet of slack shall be coiled at the bottom of the pole.
4. Secondary conductor for underground lighting systems shall be at least 2/0 aluminum triplex (CAIUS002) installed in 3" schedule 40 conduit (CODPC020) with elevations and warning tape as shown in the Direct Buried Conduit section of Underground Distribution Construction Standards.
5. Conduit should enter pullbox as shown in the Secondary Systems section of Underground Distribution Construction Standards.
6. Secondary connections should meet the standard as shown in the Secondary Systems section of Underground Distribution Construction Standards.

### OVERHEAD FED LIGHTING NOTES:

7. LIGHT SHIELDS

Light shields are available, but only for the General Electric fixtures. These shields will reduce the amount of side light projected from the fixture, which may be a nuisance. Light shields must be itemized. The 70W shield is item STLLS001 and the 200/250W shield is item STLLS002.

8. FLOODLIGHTS

a) Floodlights are available in 200W HPS (STLFL001), 400W HPS (STLFL002), and 320W MH (STLFL004). They can be mounted as a single fixture on one bracket or two fixtures on a single bracket with the use of an adapter bracket. They all require a 120V supply and are individually controlled by a photocontrol. They are to be installed on the back-side of the pole in the streetlight mounting holes. Plates FL1 and FL2 are to be used when there are NO secondary obstructions. This is the preferred installation because the "L" bracket is the least expensive. Plates FL3 and FL4 are to be used if there are secondary obstructions on the back-

side of the pole such as service drops. The NEMA labels on the front of the fixtures designate the lamp wattage and type. A yellow label designates High Pressure Sodium (HPS), and a red label designates Metal Halide (MH). All floodlight brackets shall be grounded.

b) Floodlights are directional fixtures and must be aimed to satisfy the specific lighting requirements. Each fixture has an angle adjustment guide on the side. For most installations, the fixture will be aimed downwards at a 30 to 45 degree angle from the vertical plane. The easiest way to aim the floodlight is to visualize a line extending perpendicular from the front of the fixture. Where this line strikes the ground, or the side of a building, is where the light will be the most intense. Floodlights produce a wedge-shaped light distribution pattern on the ground, as opposed to an elliptical pattern for a roadway fixture.

9. CUTOFF

The L9R standard is a HPS cut-off fixture that can be converted to work as a 250W or a 400W fixture. They are for special applications where "light pollution" is an issue. The plate option issues the correct lamp. The fixture is converted from one wattage to the other by disconnecting the "quick-disconnect" lead across the fixture capacitor. They come pre-wired as standard for 120V operation, but they can be converted to work at 208, 240, or 277V by changing the tap on the ballast.

10. Overhead-fed streetlighting shall be feed by a minimum #6 aluminum duplex, Vizsla (CAIOS001).

## SPECIAL AREAS:

11. STEEL SQUARE POLES AROUND EVERBANK STADIUM

JEA is not responsible for the maintenance of the steel square poles around Everbank Stadium. COJ is responsible for these poles. JEA is still responsible for maintaining the shoebox fixture which includes the ballast, lamp, photocontrol, etc.

12. CYLINDRICAL ALUMINUM POLES AT CECIL COMMERCE CENTER

JEA is not responsible for the maintenance of the cylindrical aluminum poles at Cecil Commerce Center. JEDC is responsible for these poles. JEA is still responsible for maintaining the shoebox fixture which includes the ballast, lamp, photocontrol, etc.

## ADDITIONAL NOTES:

13. STANDARD MATERIAL

Any material installed by JEA personnel or contractors on the JEA system, where the intention is for JEA to ultimately maintain the installed product, must be JEA approved standard material. This is accomplished by strictly adhering to the item ID's shown in this section.

14. APPROVED MANUFACTURERS AND PART NUMBERS

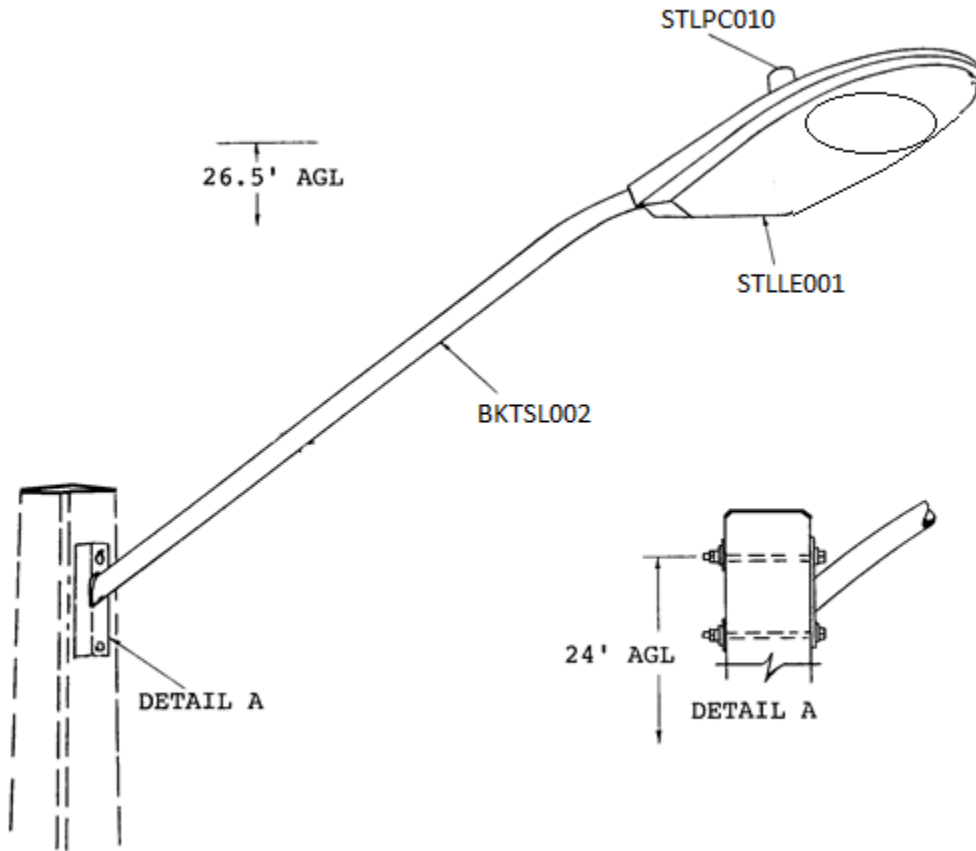
The approved manufacturers and part numbers for the various item ID's are shown in the Electric Master Material Catalog. For an up-to-date listing of these items, please visit the online catalog at:

[HTTPS://APPS.JEA.COM/MATERIALSCATALOG/EMMC.PDF](https://apps.jea.com/materialscatalog/emmc.pdf)

15. AS-BUILTS REQUIREMENTS

The construction As-Built record drawings for all street light projects shall be provided to JEA prior to scheduled installation of conductors. All street light installations shall be constructed per applicable standards. New street light installations will not be energized until the JEA Project Engineer has approved final As-Built drawings of the lighting system.

**L101 - 40W LED COBRAHEAD (70W HPS EQUIVALENT)**



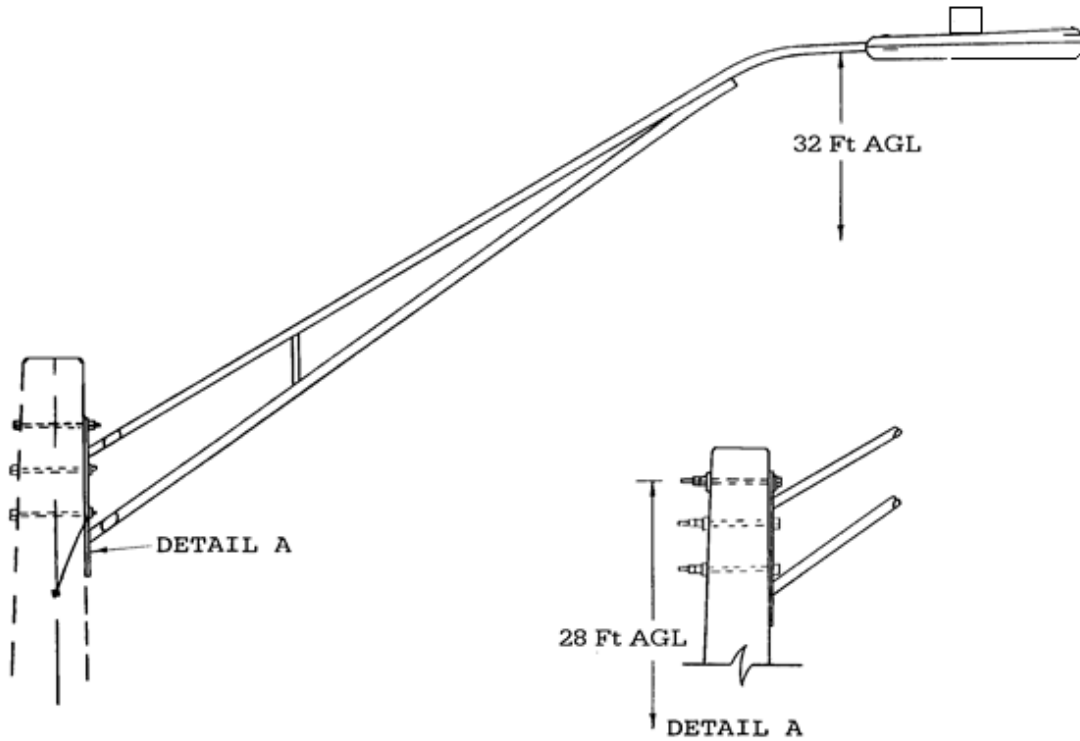
**NOTE:** 24' AGL = 24' ABOVE GROUND LEVEL

ITEM	QTY	DESCRIPTION
BKT SL 002	1	BRACKET 8FT. 3FT. RISE JEA #DMD-31
CAI UF 001	13	CABLE, STREET LIGHT 12/2 UF CU W/O GROUND
CNN CP 002	1	CONNECTOR ALUM. COMP. SIDE BY 6-2 2-1/0
CNN CP 008	1	CONNECTOR ALUM. COMP SIDE BY 6-2 3/0-4/0
CNN VG 003	2	CONNECTOR VISE TYPE 6-2 SOL. 10-2 SOL.
COB CO 028	3	CONDUCTOR BARE COPPER #4 SOL. SOFT DRAWN
COV IC 002	1	COVER COMP. CONNECTORS INSULATING
STL LE 001	1	LUMINAIRE LED 120 V 40 WATT HORIZONTAL
STL PC 010	1	PHOTOCONTROL, LONG LIFE FOR LED, TWIST-LOCK

**PLATE OPTIONS:** (INCLUDES WIRE IF NECESSARY)

L101 (Mount to existing pole), L101R (LED Luminaire & Photocell Only), L101U (Includes 30/1C Pole – Pg. 8)

**L201 - 115W LED COBRAHEAD (200/250W HPS EQUIVALENT)**



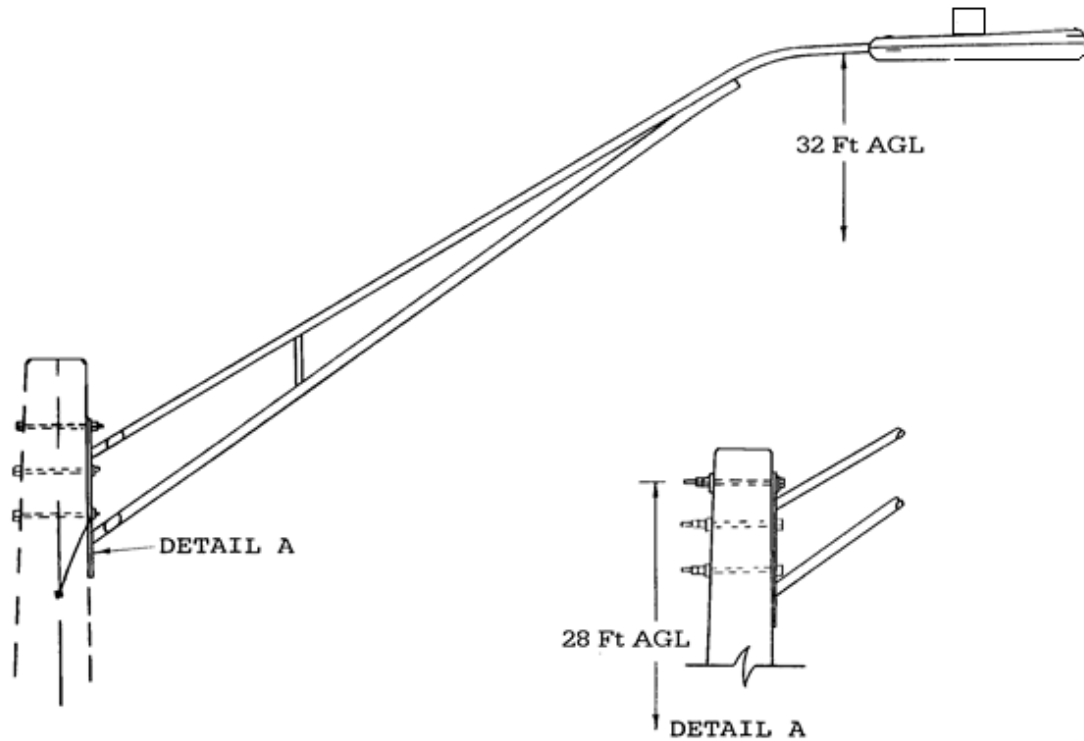
**NOTE:** 28' AGL = 28' ABOVE GROUND LEVEL

ITEM	QTY	DESCRIPTION
BKT SL 007	1	BRACKET, TRUSSARM 12FT. 4FT. RISE JEA #DMD-67
CAI UF 001	18	CABLE, STREET LIGHT 12/2 UF CU W/O GROUND
CNN CP 002	1	CONNECTOR, ALUM. COMP. SIDE BY 6-2 2-1/0
CNN CP 008	1	CONNECTOR, ALUM. COMP SIDE BY 6-2 3/0-4/0
CNN VG 003	2	CONNECTOR, VISE TYPE 6-2 SOL. 10-2 SOL.
COB CO 028	3	CONDUCTOR, BARE COPPER #4 SOL. SOFT DRAWN
COV IC 002	1	COVER COMP. CONNECTORS INSULATING
STL LE 002	1	LUMINAIRE, LED. IES TYPE M.N. III
STL PC 010	1	PHOTOCONTROL, LONG LIFE FOR LED, TWIST-LOCK

**PLATE OPTIONS:** (INCLUDES WIRE IF NECESSARY)

L201 (Mount to existing pole), L201R (LED Luminaire & Photocell Only), L201U (Includes 35/1C Pole – Pg. 8)

## L301 - 275W LED COBRAHEAD (400W HPS EQUIVALENT)



**NOTE:** 28' AGL = 28' ABOVE GROUND LEVEL

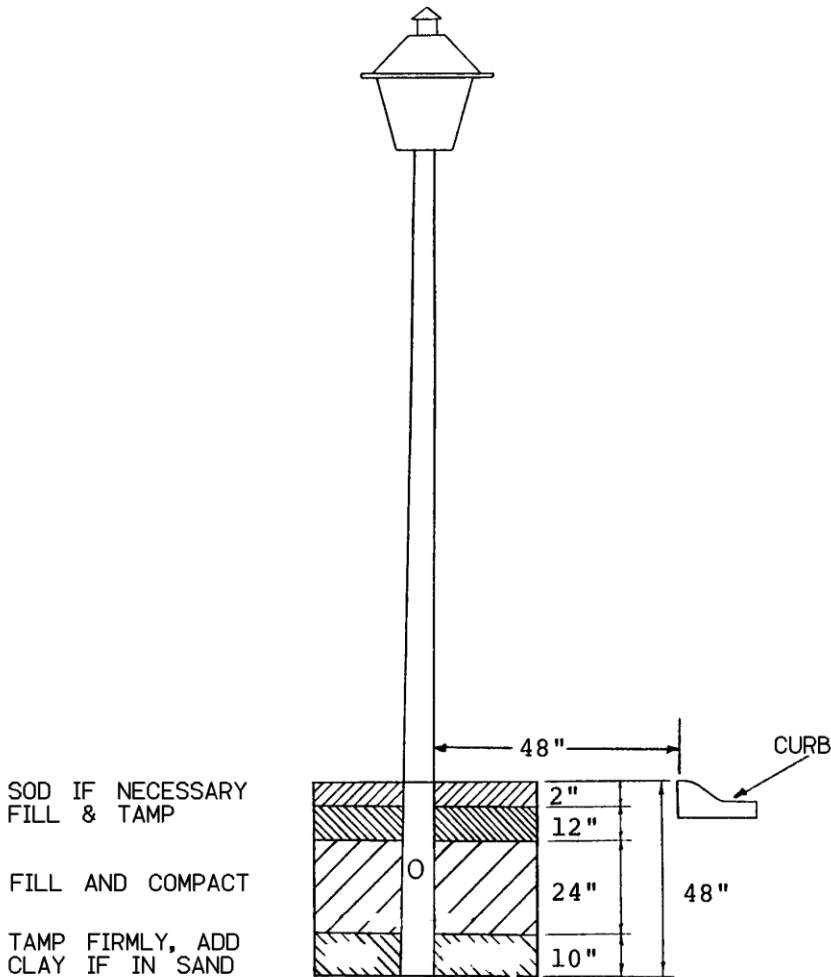
ITEM	QTY	DESCRIPTION
BKT SL 007	1	BRACKET, TRUSSARM 12FT. 4FT. RISE JEA #DMD-67
CAI UF 001	18	CABLE, STREET LIGHT 12/2 UF CU W/O GROUND
CNN CP 002	1	CONNECTOR, ALUM. COMP. SIDE BY 6-2 2-1/0
CNN CP 008	1	CONNECTOR, ALUM. COMP SIDE BY 6-2 3/0-4/0
CNN VG 003	2	CONNECTOR, VISE TYPE 6-2 SOL. 10-2 SOL.
COB CO 028	3	CONDUCTOR, BARE COPPER #4 SOL. SOFT DRAWN
COV IC 002	1	COVER COMP. CONNECTORS INSULATING
STL LE 003	1	LUMINAIRE, LED IES TYPE M.N. III
STL PC 010	1	PHOTOCONTROL, LONG LIFE FOR LED, TWIST-LOCK

**PLATE OPTIONS:** (INCLUDES WIRE IF NECESSARY)

L301 (Mount to existing pole), L301R (LED Luminaire & Photocell Only), L301U (Includes 35/1C Pole – Pg. 8)

## L40\_ – 40W / 72W LED POST TOP (70W HPS / 150W MH EQUIVALENT)

NOTE: RETROFIT PLATE OPTION AVAILABLE



ITEM	QTY	DESCRIPTION
CAI UF 001	22	CABLE, STREET LIGHT 12/2 UF CU W/O GROUND
POL FG 001	1	POLE, 18FT. FIBERGLASS
STL LE ___	1	LUMINAIRE, POLE TOP, SEE PLATE OPTIONS, 120 VOLTS
STL PC 010	1	PHOTOCONTROL, LONG LIFE FOR LED, TWIST-LOCK

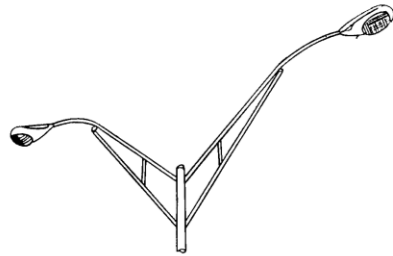
### PLATE OPTIONS:

<b>L401</b> (includes FG pole)	<b>L401R</b> (Post Top LED Luminaire & Photocell only)	STL LE 004 (40W LED – 70W HPS equiv.)
	<b>L402</b> (Retrofit LED Luminaire & Photocell only)	STL LE 006 (40W LED – 70W HPS equiv.)
<b>L403</b> (includes FG pole)	<b>L403R</b> (Post Top LED Luminaire & Photocell only)	STL LE 010 (72W LED – 150W MH equiv.)

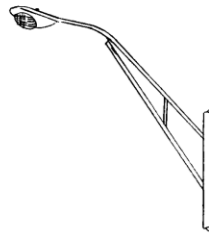


## L601\_ - 40W LED COBRAHEAD

(on a 27' ALUMINUM POLE)



DOUBLE TRUSS (DT)



TRUSS (T)

AVAILABLE BRACKET  
LENGTHS  
8 FT  
12 FT  
15 FT

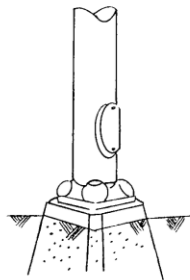


PLATE	ITEM	QTY	DESCRIPTION
L601T	BKT SL ____	1	BRACKET, STREET LIGHT, TRUSS (8' - 004, 12' - 005, 15' - 006)
	CAI UF 001	50	CABLE, STREET LIGHT 12/2 UF CU W/O GROUND
	CLA TG 001	1	CLAMP, TRANSFORMER TANK GROUND, "BRONZE" 6 SOL - 1 STR.
	POL AL 002	1	POLE, STREET LIGHT 27 FT SINGLE TRUSS
	STL LE 001	1	LUMINAIRE LED 120 V 40 WATT HORIZONTAL
	STL PC 010	1	PHOTOCONTROL, ELECTRONIC, TWIST-LOCK
PLATE OPTIONS: *8, *12, *15 EXAMPLE: L601T*12			
L601DT	BKT SL ____	2	BRACKET, STREET LIGHT, TRUSS (8' - 004, 12' - 005, 15' - 006)
	CAI UF 001	50	CABLE, STREET LIGHT 12/2 UF CU W/O GROUND
	CLA TG 001	1	CLAMP, TRANSFORMER TANK GROUND, "BRONZE" 6 SOL - 1 STR.
	POL AL 003	1	POLE, STREET LIGHT 27 FT DOUBLE TRUSS
	STL LE 001	2	LUMINAIRE LED 120 V 40 WATT HORIZONTAL
	STL PC 010	2	PHOTOCONTROL, ELECTRONIC, TWIST-LOCK
PLATE OPTIONS: *8, *12, *15 EXAMPLE: L601DT*12			

**NOTE:**

Locations that require a new base, Plate ANCBASE2. (See ANCBASE\_). Height of fixture above ground level is 28.75-ft with respect to anchor base.

## L1501\_ – 115W / 275W LED COBRAHEAD FIXTURE ON 37' ALUMINUM POLE

(200/250W HPS EQUIVALENT) / (400W HPS OR 320W MH EQUIVALENT)

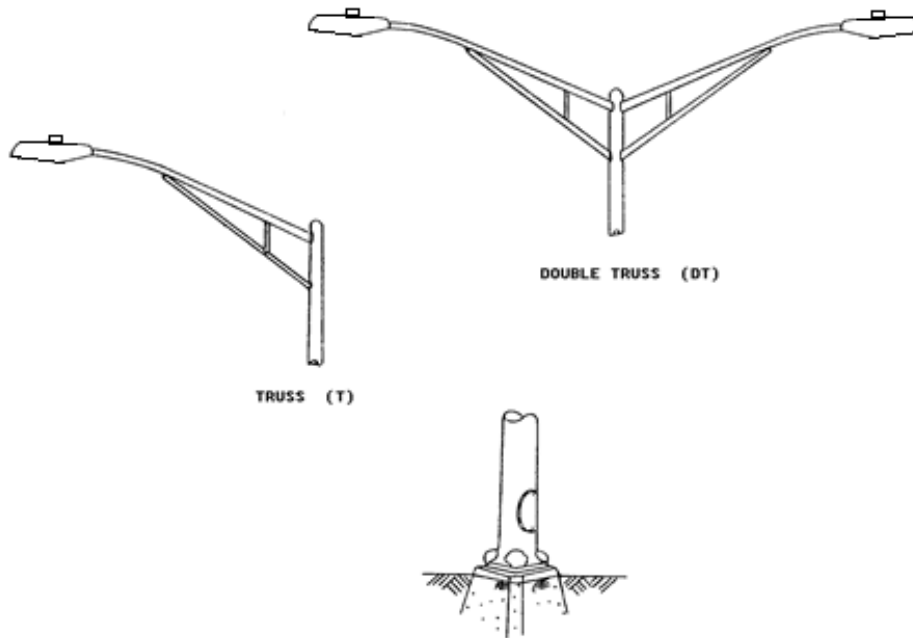


PLATE	ITEM	QTY	DESCRIPTION
L1501T	BKT SL 005	1	BRACKET, STREET LIGHT 12 FT. ALUM. TRUSS STYLE, 3FT. RISE
	CAI UF 001	55	CABLE, STREET LIGHT 12/2 UF CU W/O GROUND
	CLA TG 001	1	CLAMP, TRANSFORMER TANK GROUND, "BRONZE" 6 SOL - 1 STR.
	POL AL 004	1	POLE, STREET LIGHT ALUM-TRUSS ARM 37 FT.
	STL LE ___	1	GENERAL CODE FOR LED LUMINAIRE
	STL PC 010	1	PHOTOCONTROL, LONG LIFE FOR LED FIXTURE
L1501DT	BKT SL 005	2	BRACKET, STREET LIGHT 12 FT. ALUM. TRUSS STYLE
	CAI UF 001	75	CABLE, STREET LIGHT 12/2 UF CU W/O GROUND
	CLA TG 001	1	CLAMP, TRANSFORMER TANK GROUND, "BRONZE" 6 SOL - 1 STR.
	POL AL 005	1	POLE, STREET LIGHT ALUM-TWIN TRUSS ARM 37 FT.
	STL LE ___	2	GENERAL CODE FOR LED LUMINAIRE
	STL PC 010	2	PHOTOCONTROL, LONG LIFE FOR LED FIXTURE

**OPTIONS:**

L1501T\*115                      L1501DT\*115  
L1501T\*275                      L1501DT\*275

**NOTE:**

Locations that require a new base, Plate ANCBASE4. (See ANCBASE\_ ). Height of fixture above ground level is 39.5-ft with respect to anchor base.

## L1601\_ - 115W LED COBRAHEAD FIXTURE ON 27' ALUMINUM POLE (200/250W HPS EQUIVALENT)

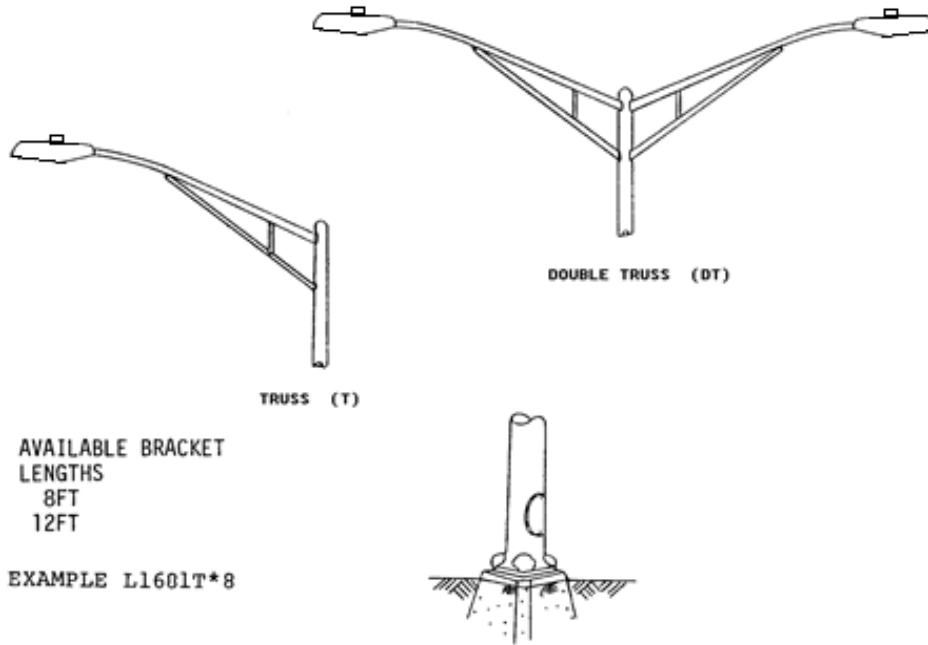


PLATE	ITEM	QTY	DESCRIPTION
L1601T	BKT SL ____	1	GENERAL CODE FOR STREET LIGHT BRACKET
	CAI UF 001	65	CABLE, STREET LIGHT 12/2 UF CU W/O GROUND
	CLA TG 001	1	CLAMP, TRANSFORMER TANK GROUND, "BRONZE" 6 SOL - 1 STR.
	POL AL 002	1	POLE, STREET LIGHT ALUM-TRUSS ARM 27 FT.
	STL LE 002	1	LUMINARE, LED. IES TYPE M.N. III
	STL PC 010	1	PHOTOCONTROL, LONG LIFE FOR LED FIXTURE
L1601DT	BKT SL ____	2	GENERAL CODE FOR STREET LIGHT BRACKET
	CAI UF 001	85	CABLE, STREET LIGHT 12/2 UF CU W/O GROUND
	CLA TG 001	1	CLAMP, TRANSFORMER TANK GROUND, "BRONZE" 6 SOL - 1 STR.
	POL AL 003	1	POLE, STREET LIGHT ALUM-TWIN TRUSS ARM 27 FT.
	STL LE 002	2	LUMINARE, LED. IES TYPE M.N. III
	STL PC 010	2	PHOTOCONTROL, LONG LIFE FOR LED FIXTURE

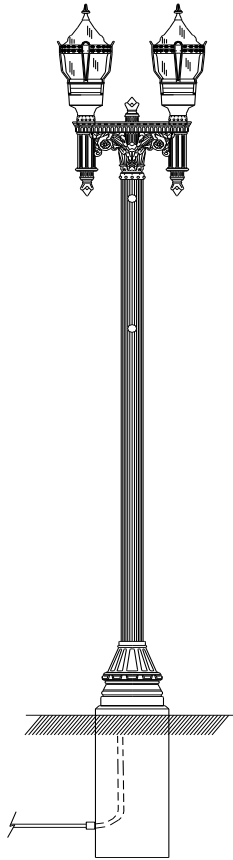
**OPTIONS:**

L1601T\*8                      L1601DT\*8  
L1601T\*12                    L1601DT\*12

**NOTE:**

Locations that require a new base, Plate ANCBASE2. (See ANCBASE\_) Height of fixture above ground level is 28.75-ft with respect to anchor base.

**LDDA01 – 100W LED (150W MH EQUIVALENT) DOUBLE DECORATIVE ACORN PEDESTRIAN LIGHT**



ITEM	QTY	DESCRIPTION
CAI UF 001	30	CABLE, STREET LIGHT 12/2 UF CU W/O GROUND
CLA TG 001	1	CLAMP, TRANSFORMER TANK GROUND, "BRONZE" 6 SOL - 1 STR.
POL AL 006	1	AL. POLE, 14FT., 6 IN. DIA., BANNER ARM
STL DE 004	1	SUNFLOWER ARM
STL LE 008	2	100W LED DECORATIVE UTILITY ACORN FIXTURE W/ GOLD BANDS
STL PC 010	2	PHOTOCONTROL, LONG LIFE FOR LED, TWIST-LOCK

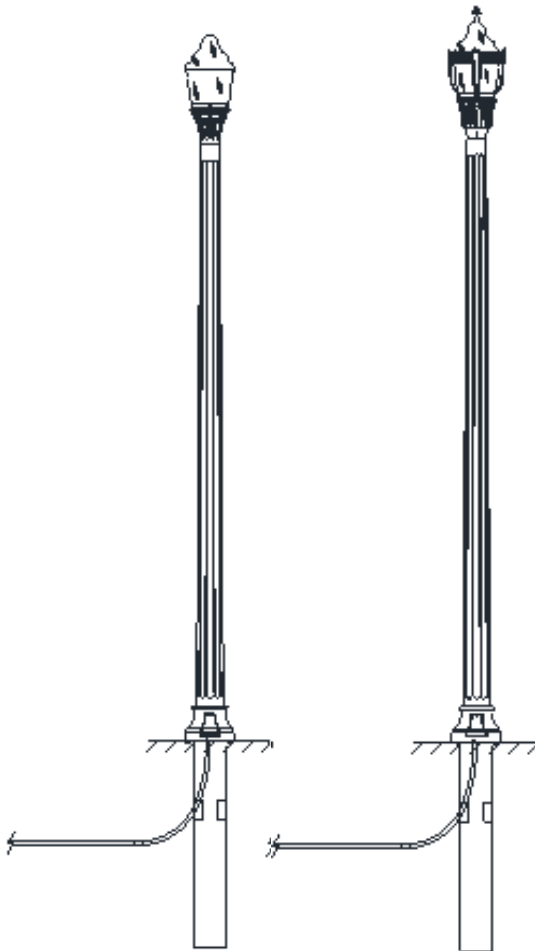
Options: **LDDA01R** – 100W LED DECORATIVE ACORN REPLACEMENT

**NOTES:**

1. This pole requires a concrete base, NOT INCLUDED (Plate ANCBASE6).
2. Contractors are required to install JEA's standard concrete base with the conduit system.
3. See Note 6 in the GENERAL LIGHTING NOTES section about pole placement & banner arms.
4. 12/2 cable will be brought up to each head from the splay opening at the bottom of the pole. At this opening, there should be one wire nut with the three neutrals and one with the three hot legs. Each hot leg feed from the wire nut to the fixture shall be protected by a fuse.
5. Use plate ID, **LDA01\*RETRO**, for retro-fit kit option with a quantity of **two (2)** for the double acorn.

## LPA01\*DC OR LDA01\*DC – 100WLED PLAIN ACORN OR DECORATIVE ACORN ON DECORATIVE CONCRETE POLE

OPTIONS: LPA01\*DC, LDA01\*DC



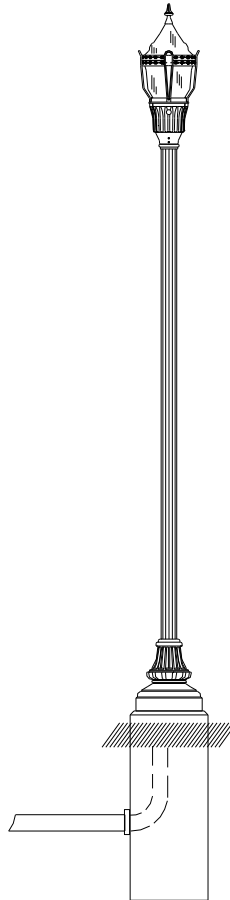
OPTION	ITEM
LPA01*DC (PLAIN ACORN)	STLLE009
LDA01*DC (DECORATIVE ACORN)	STLLE008

ITEM	QTY	DESCRIPTION
STLLE00	1	GENERAL CODE FOR FIXTURE (SEE OPTIONS ABOVE)
*STLRF070	1	REFRACTOR FOR PLAIN ACORN-STYLE FIXTURE
STLPC010	1	PHOTOCONTROL, LONG LIFE FOR LED, TWIST-LOCK
CAIUF001	22	CABLE; STREET LIGHT UF 12 CU 2/C
CODCO025	1	COUPLING; PLASTIC IC CONDUIT 1 IN. SCH40
CODPC017	5	CONDUIT; FLEXIBLE PVC; 1 INCH DIAMETER
POLCO040	1	13 FT. DECORATIVE CONC. POLE

\*Note: Refractor is included with STLLE008 fixture.

Options: LPA01R, LDA01R

**LDA01\*14 - 14FT AL POLE W/DECORATIVE ACORN 100W LED (150W MH EQUIVALENT) FIXTURE**



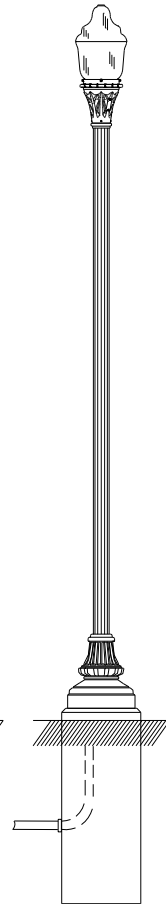
ITEM	QTY	DESCRIPTION
CAI UF 001	22	CABLE, STREET LIGHT 12/2 UF CU W/O GROUND
CLA TG 001	1	CLAMP, TRANSFORMER TANK GROUND, "BRONZE" 6 SOL - 1 STR.
POL AL 006	1	AL. POLE, 14FT., 6 IN. DIA., BANNER ARM
STL LE 008	1	100W LED DECORATIVE UTILITY ACORN FIXTURE W/ GOLD BANDS
STL PC 010	1	PHOTOCONTROL, LONG LIFE FOR LED, TWIST-LOCK

Options: **LDA01R** (fixture only for LED replacement), **LDA01\*RETRO** (retro-fit kit)

**NOTES:**

This pole requires a concrete base, NOT INCLUDED (Plate ANCBASE6).  
 The developer's contractors are required to install a concrete base with the conduit system.  
 For 14-ft AL pole without banner rod provisions, use POLAL008 instead of POLAL006.  
 See Note 6 in the GENERAL LIGHTING NOTES section about pole placement & banner arms.

**LPA01\*14 - 14FT AL POLE W/PLAIN ACORN 100W LED (150W MH EQUIVALENT) FIXTURE**



ITEM	QTY	DESCRIPTION
CAI UF 001	22	CABLE, STREET LIGHT 12/2 UF CU W/O GROUND
CLA TG 001	1	CLAMP, TRANSFORMER TANK GROUND, "BRONZE" 6 SOL - 1 STR.
POL AL 006	1	AL. POLE, 14FT., 6 IN. DIA., BANNER ARM
STL LE 009	1	100W LED PLAIN ACORN-STYLE FIXTURE
STL PC 010	1	PHOTOCONTROL, LONG LIFE FOR LED, TWIST-LOCK
STL RF 070	1	REFRACTOR FOR PLAIN ACORN-STYLE FIXTURE

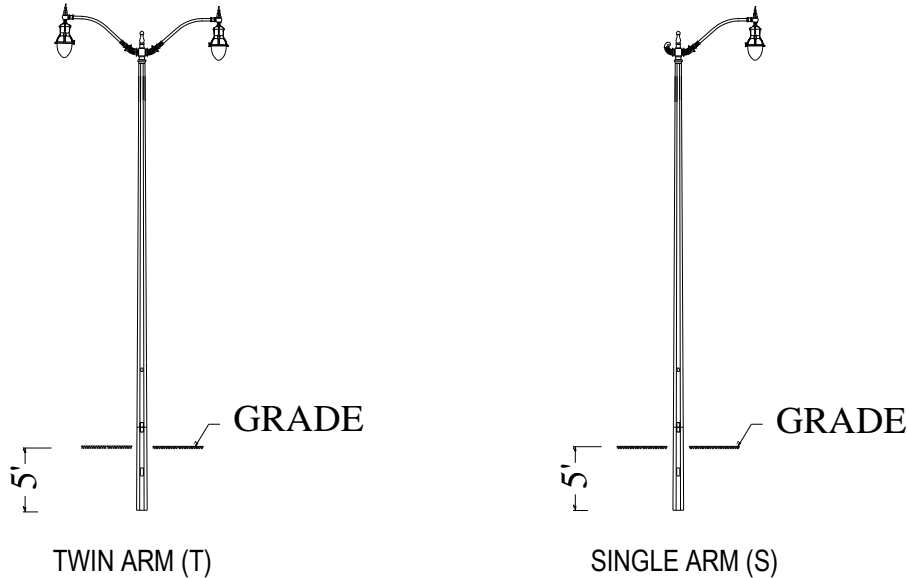
Options: **LPA01\*DC**(w/ 13-ft decorative concrete pole), **LPA01R** (fixture only for LED replacement), **LPA01\*RETRO** (retro-fit kit)

**NOTES:**

This pole requires a concrete base, NOT INCLUDED (Plate ANCBASE6).  
 The developer's contractors are required to install a concrete base with the conduit system.  
 For 14-ft AL pole without banner rod provisions, use POLAL008 instead of POLAL006.  
 See Note 6 in the GENERAL LIGHTING NOTES section about pole placement & banner arms.

## LTDT01 & LTDS01 - 35 FT OCTAGONAL CONCRETE POLE W/ 150W / LED TEAR DROP FIXTURES

OPTIONS: LTDT01\*150, LTDS01\*150



TWIN ARM (T)

SINGLE ARM (S)

PLATE	ITEM	QTY	DESCRIPTION
LTDT01	BKT SL 015	1	TWIN 72" AL. CROSSARM FOR TEAR DROP
	CAI UF 001	100	CABLE, STREET LIGHT 12/2 UF CU W/O GROUND
	CLA TG 001	1	CLAMP, TRANSFORMER TANK GROUND, "BRONZE" 6 SOL - 1 STR.
	POL CO 041	1	POLE, STREET LIGHT 35 FT. OCTAGONAL POLE
	STL LE 011	2	LUMINAIRE, 150W LED (250W HPS EQUIVALENT), TEAR DROP
	STL PC 010	2	PHOTOCONTROL, LONG LIFE FOR LED FIXTURE
LTDS01	BKT SL 014	1	SINGLE 72" AL. CROSSARM FOR TEAR DROP
	CAI UF 001	50	CABLE, STREET LIGHT 12/2 UF CU W/O GROUND
	CLA TG 001	1	CLAMP, TRANSFORMER TANK GROUND, "BRONZE" 6 SOL - 1 STR.
	POL CO 041	1	POLE, STREET LIGHT 35 FT. OCTAGONAL POLE
	STL LE 011	1	LUMINAIRE, 150W LED (250W HPS EQUIVALENT), TEAR DROP
	STL PC 010	1	PHOTOCONTROL, LONG LIFE FOR LED FIXTURE

**NOTE:**

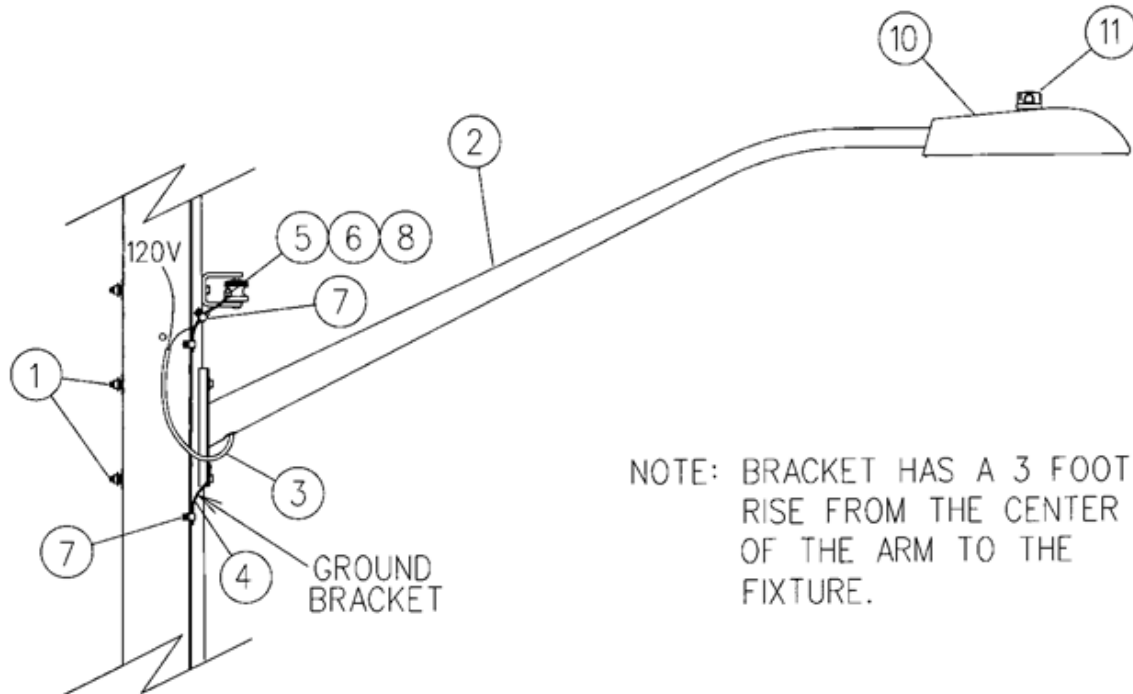
1. Install G3C
2. 12/2 and a green #10 ground shall be brought up to each head from the splay opening at the bottom of the pole. At this opening, there should be one wire nut with the three neutrals, one with the three grounds, and one with the three hot legs. Each hot leg feed from the wire nut to the fixture shall be protected by a fuse. The #10 ground feed shall be grounded at the handhole and at the base of the pole.
3. For LED replacement of fixtures only use: **LTDT01R\*150**, **LTDS01R\*150**



## L101 – 40W LED (70W HPS EQUIVALENT) ROADWAY FIXTURE

OPTIONS: NONE

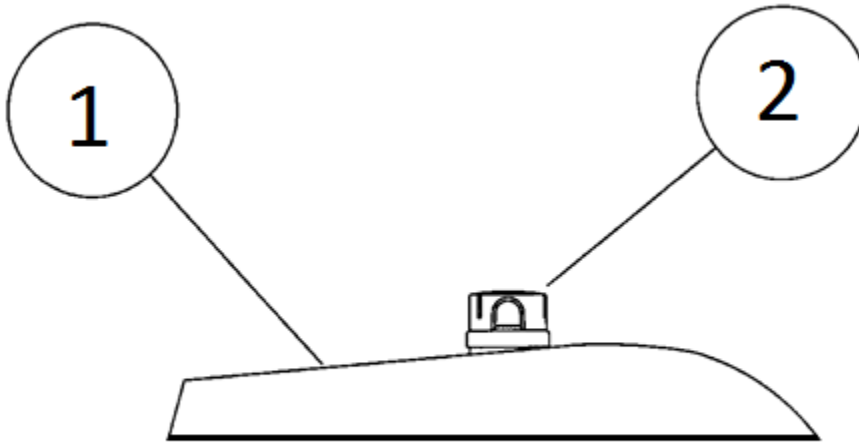
BOLT PLATE: NONE



NO.	ITEM ID	QTY	DESCRIPTION
1	BOL MS 020	2	BOLT, MACHINE, SQUARE HEAD, 5/8X14
2	BKT SL 002	1	BRACKET, STREETLIGHT, 8 FT. LENGTH, 3 FT. RISE, UNIVERSAL BASE
3	CAI UF 001	13	CABLE, STREET LIGHT 12/2 UF CU W/O GROUND
4	COB CO 028	3	CONDUCTOR, COPPER, BARE, #4
5	CNN CP 002	1	CONNECTOR, AL. COMP., SIDE-BY, 6-2 2-1/0
6	CNN CP 008	1	CONNECTOR, AL. COMP., SIDE-BY, 6-2 3/0-4/0
7	CNN VG 003	2	CONNECTOR, VISE GRIP, 6-2 SOL. 10-2 SOL.
8	COV IC 002	1	COVER, INSULATED, "D" SIZE CONNECTORS/SLEEVES
10	STL LE 001	1	LUMINAIRE, 40W, LED, ROADWAY
11	STL PC 010	1	PHOTOCONTROL, LONG LIFE FOR LED, TWIST-LOCK
12	WAS RD 004	2	WASHER, ROUND, 1-3/4 IN. DIA., FOR 5/8 IN. DIA. BOLT
13	WAS SF 003	2	WASHER, SQUARE, FLAT, 3 IN., FOR 3/4 IN. DIA. BOLT
14	WAS SP 002	2	WASHER, SPRING, DOUBLE HELIX, FOR 3/4 IN. DIA. BOLT

**L101R - 40 WATT LED (70W HPS EQUIVALENT) ROADWAY FIXTURE  
– WITHOUT BRACKET**

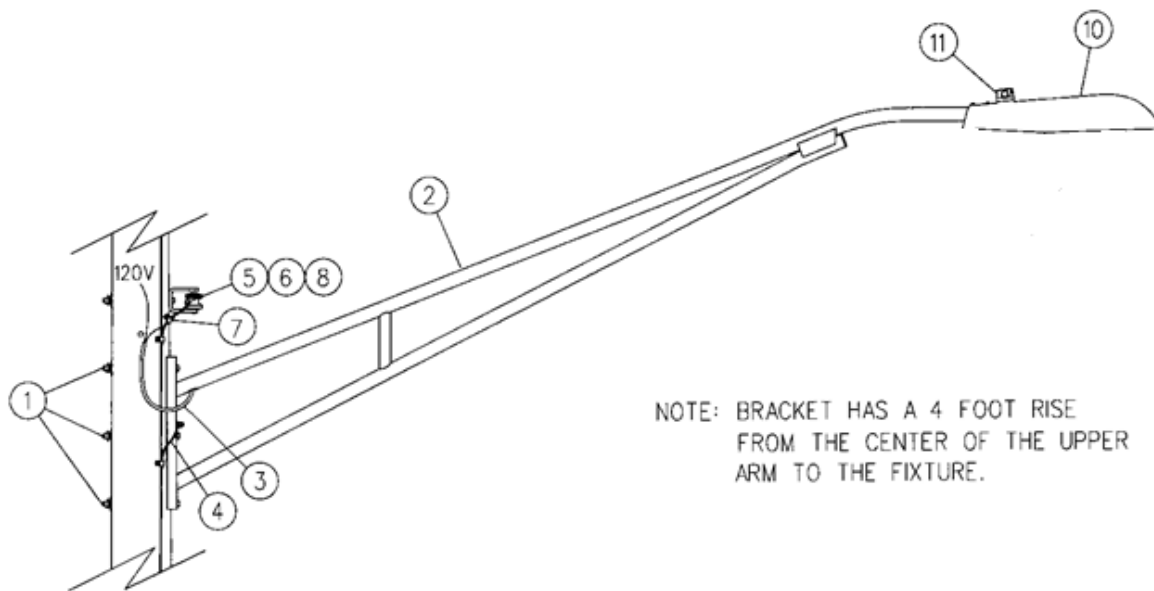
OPTIONS: NONE  
BOLT PLATE: NONE



NO.	ITEM ID	QTY	DESCRIPTION
1	STL LE 001	1	LUMINAIRE, 40W, LED, ROADWAY
2	STL PC 010	1	PHOTOCONTROL, LONG LIFE FOR LED, TWIST-LOCK

## L201 - 115 WATT LED (200W/250W HPS EQUIVALENT) ROADWAY FIXTURE

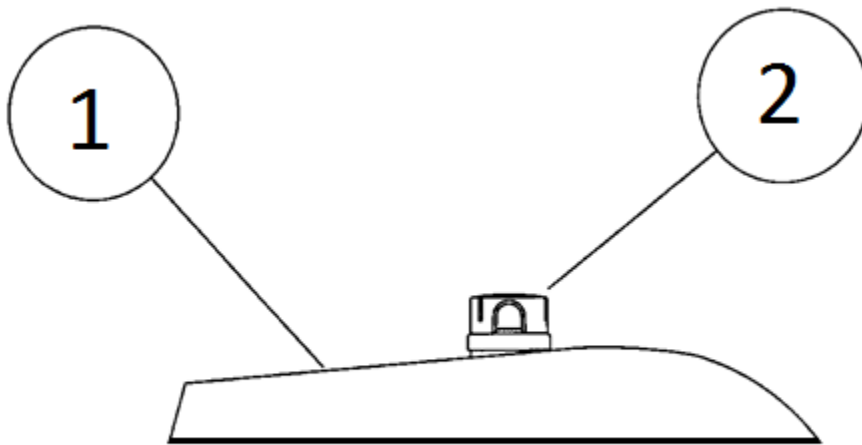
OPTIONS: NONE  
BOLT PLATE: NONE



NO.	ITEM ID	QTY	DESCRIPTION
1	BOL MS 020	3	BOLT, MACHINE, SQUARE HEAD, 5/8X14
2	BKT SL 007	1	BRACKET, STREETLIGHT, 12 FT. LENGTH, 4 FT. RISE, UNIVERSAL BASE
3	CAI UF 001	18	CABLE, STREET LIGHT 12/2 UF CU W/O GROUND
4	COB CO 028	3	CONDUCTOR, COPPER, BARE, #4
5	CNN CP 002	1	CONNECTOR, AL. COMP., SIDE-BY, 6-2 2-1/0
6	CNN CP 008	1	CONNECTOR, AL. COMP., SIDE-BY, 6-2 3/0-4/0
7	CNN VG 003	2	CONNECTOR, VISE GRIP, 6-2 SOL. 10-2 SOL.
8	COV IC 002	1	COVER, INSULATED, "D" SIZE CONNECTORS/SLEEVES
10	STL LE 002	1	LUMINAIRE, 115W, LED, ROADWAY
11	STL PC 010	1	PHOTOCONTROL, LONG LIFE FOR LED, TWIST-LOCK
12	WAS RD 004	3	WASHER, ROUND, 1-3/4 IN. DIA., FOR 5/8 IN. DIA. BOLT
13	WAS SF 003	3	WASHER, SQUARE, FLAT, 3 IN., FOR 3/4 IN. DIA. BOLT
14	WAS SP 002	3	WASHER, SPRING, DOUBLE HELIX, FOR 3/4 IN. DIA. BOLT

**L201R - 115 WATT LED (200W/250W HPS EQUIVALENT) ROADWAY  
FIXTURE – WITHOUT BRACKET**

OPTIONS: NONE  
BOLT PLATE: NONE

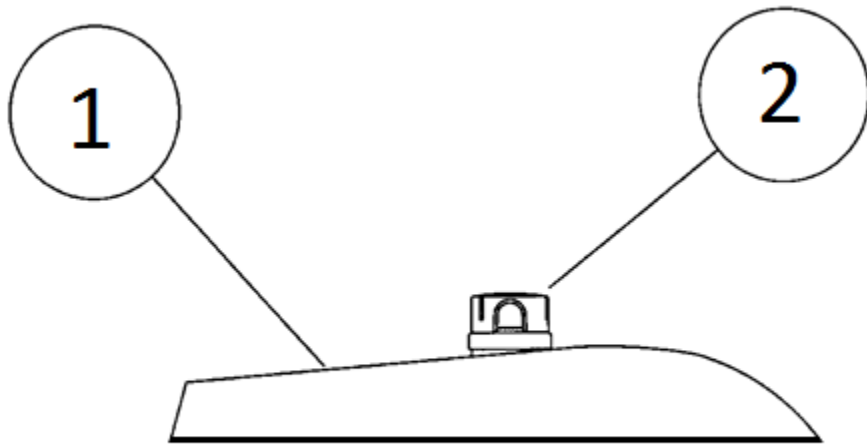


NO.	ITEM ID	QTY	DESCRIPTION
1	STL LE 002	1	LUMINAIRE, 115W, LED, ROADWAY
2	STL PC 010	1	PHOTOCONTROL, LONG LIFE FOR LED, TWIST-LOCK

**L301R – 275W LED (320W MH/400W HPS EQUIVALENT) CUT-OFF  
ROADWAY FIXTURE**

**WITHOUT BRACKET**

**OPTIONS: NONE  
BOLT PLATE: NONE**

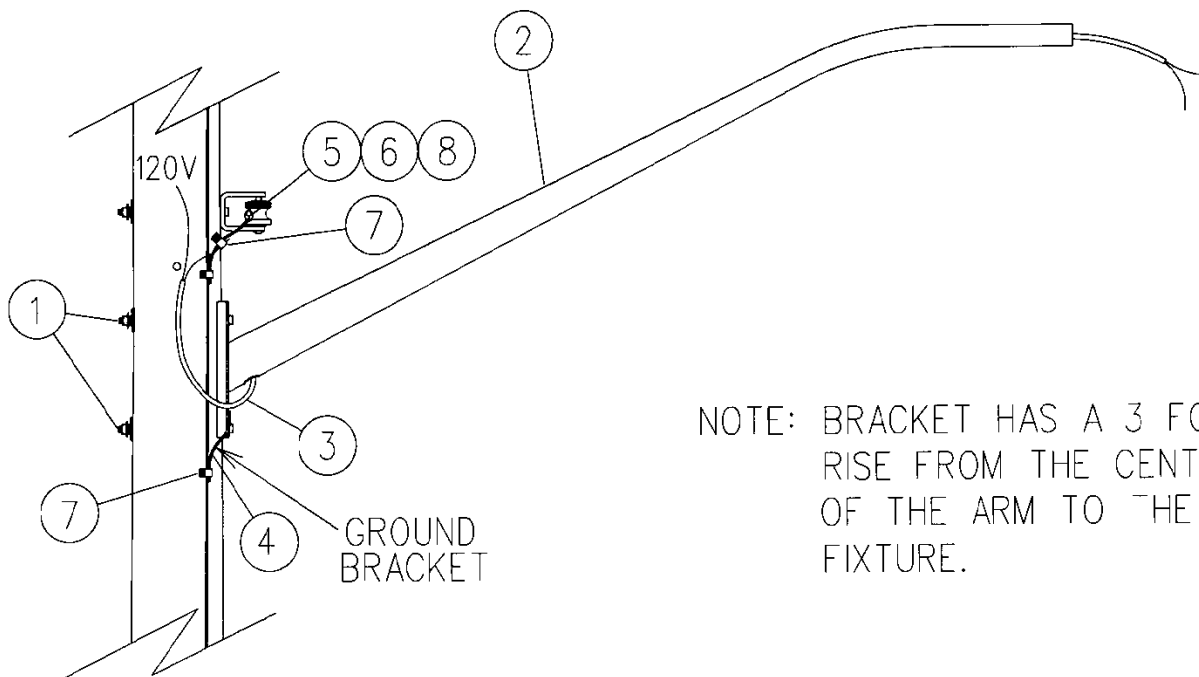


NO.	ITEM ID	QTY	DESCRIPTION
1	STL LE 003	1	LUMINAIRE, 275W, LED, ROADWAY, CUT-OFF
2	STL PC 010	1	PHOTOCONTROL, LONG LIFE FOR LED, TWIST-LOCK

## LB1- 8 FOOT BRACKET

### WITHOUT FIXTURE

OPTIONS: NONE  
BOLT PLATE: NONE



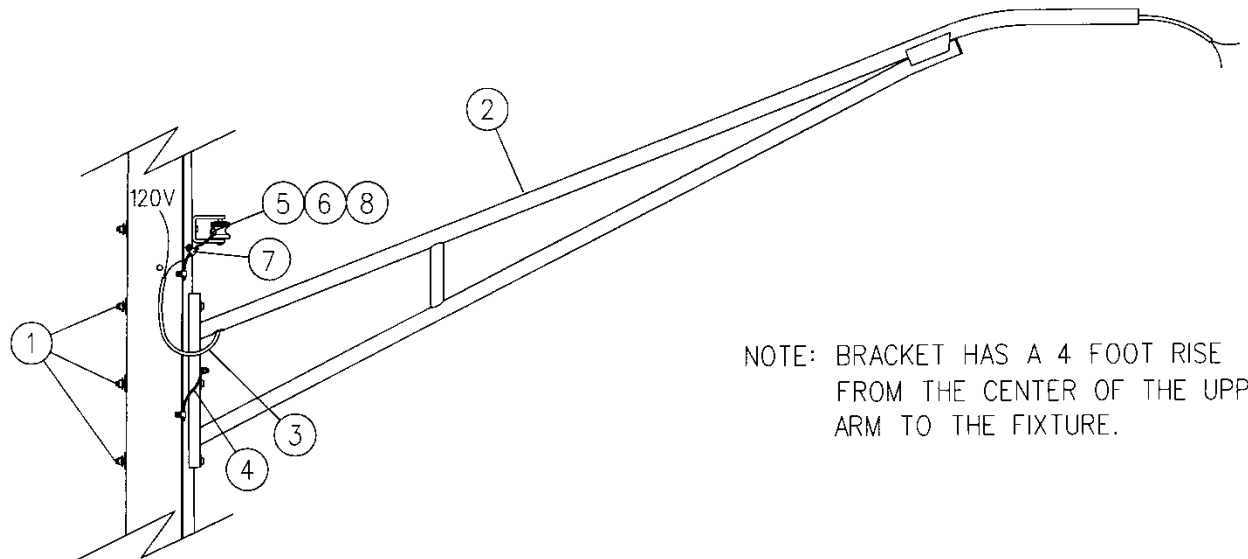
NOTE: BRACKET HAS A 3 FOOT RISE FROM THE CENTER OF THE ARM TO THE FIXTURE.

NO.	ITEM ID	QTY	DESCRIPTION
1	BOL MS 020	2	BOLT, MACHINE, SQUARE HEAD, 5/8X14
2	BKT SL 002	1	BRACKET, STREETLIGHT, 8 FT. LENGTH, 3 FT. RISE, UNIVERSAL BASE
3	CAI UF 001	13	CABLE, STREET LIGHT 12/2 UF CU W/O GROUND
4	COB CO 028	3	CONDUCTOR, COPPER, BARE, #4
5	CNN CP 002	1	CONNECTOR, AL. COMP., SIDE-BY, 6-2 2-1/0
6	CNN CP 008	1	CONNECTOR, AL. COMP., SIDE-BY, 6-2 3/0-4/0
7	CNN VG 003	2	CONNECTOR, VISE GRIP, 6-2 SOL. 10-2 SOL.
8	COV IC 002	1	COVER, INSULATED, "D" SIZE CONNECTORS/SLEEVES
9	WAS RD 004	2	WASHER, ROUND, 1-3/4 IN. DIA., FOR 5/8 IN. DIA. BOLT
10	WAS SF 003	2	WASHER, SQUARE, FLAT, 3 IN., FOR 3/4 IN. DIA. BOLT
11	WAS SP 002	2	WASHER, SPRING, DOUBLE HELIX, FOR 3/4 IN. DIA. BOLT

## LB2 - 12 FOOT BRACKET

### WITHOUT FIXTURE

OPTIONS: NONE  
BOLT PLATE: NONE



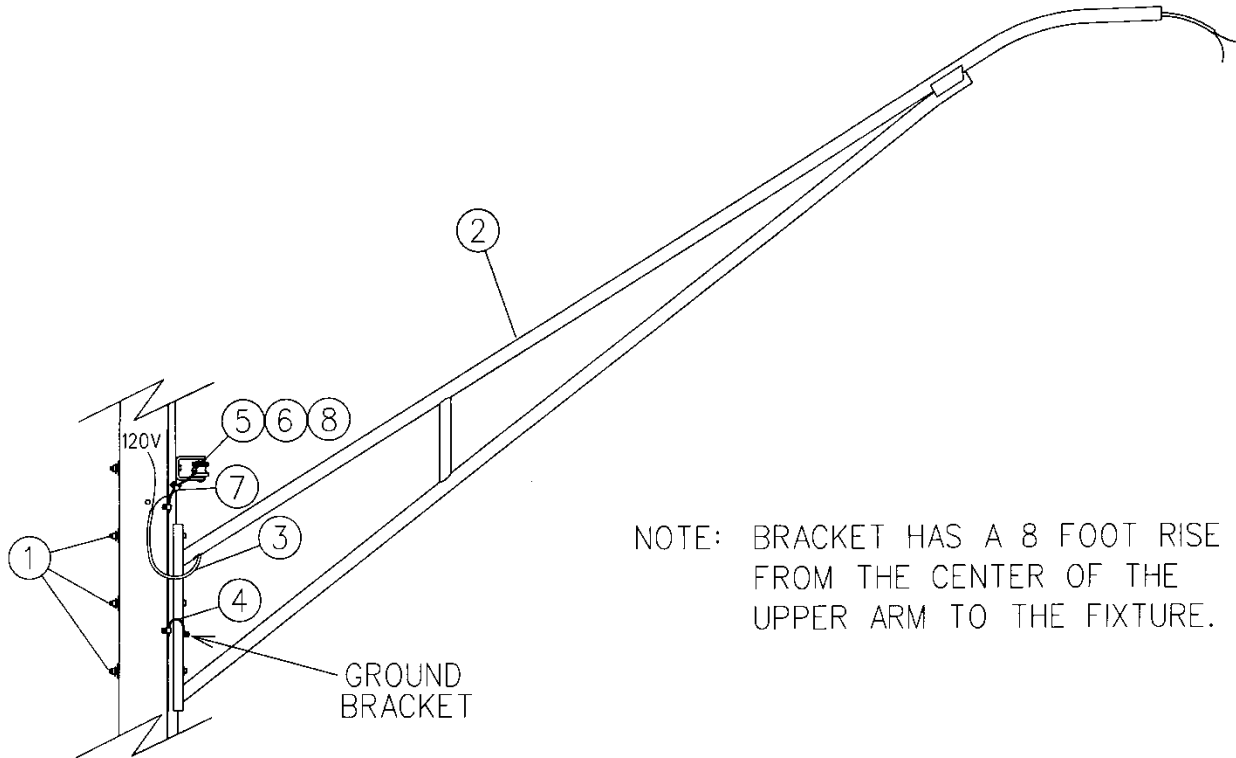
NOTE: BRACKET HAS A 4 FOOT RISE FROM THE CENTER OF THE UPPER ARM TO THE FIXTURE.

NO.	ITEM ID	QTY	DESCRIPTION
1	BOL MS 020	3	BOLT, MACHINE, SQUARE HEAD, 5/8X14
2	BKT SL 007	1	BRACKET, STREETLIGHT, 12 FT. LENGTH, 4 FT. RISE, UNIVERSAL BASE
3	CAI UF 001	18	CABLE, STREET LIGHT 12/2 UF CU W/O GROUND
4	COB CO 028	3	CONDUCTOR, COPPER, BARE, #4
5	CNN CP 002	1	CONNECTOR, AL. COMP., SIDE-BY, 6-2 2-1/0
6	CNN CP 008	1	CONNECTOR, AL. COMP., SIDE-BY, 6-2 3/0-4/0
7	CNN VG 003	2	CONNECTOR, VISE GRIP, 6-2 SOL. 10-2 SOL.
8	COV IC 002	1	COVER, INSULATED, "D" SIZE CONNECTORS/SLEEVES
9	WAS RD 004	3	WASHER, ROUND, 1-3/4 IN. DIA., FOR 5/8 IN. DIA. BOLT
10	WAS SF 003	3	WASHER, SQUARE, FLAT, 3 IN., FOR 3/4 IN. DIA. BOLT
11	WAS SP 002	3	WASHER, SPRING, DOUBLE HELIX, FOR 3/4 IN. DIA. BOLT

## LB3 - 15 FOOT BRACKET

### WITHOUT FIXTURE

OPTIONS: NONE  
BOLT PLATE: NONE



NOTE: BRACKET HAS A 8 FOOT RISE FROM THE CENTER OF THE UPPER ARM TO THE FIXTURE.

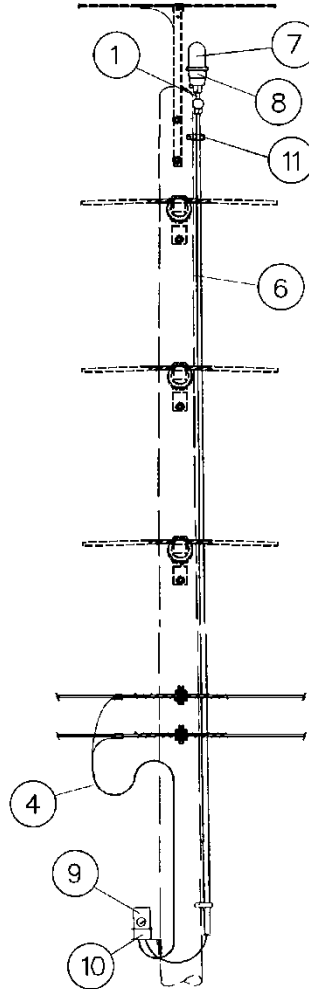
**Note: This bracket shall only be installed on stand-alone poles, not distribution**

NO.	ITEM ID	QTY	DESCRIPTION
1	BOL MS 020	3	BOLT, MACHINE, SQUARE HEAD, 5/8X14
2	BKT SL 008	1	BRACKET, STREETLIGHT, 15 FT. LENGTH, 8 FT. RISE, UNIVERSAL BASE
3	CAI UF 001	18	CABLE, STREET LIGHT 12/2 UF CU W/O GROUND
4	COB CO 028	3	CONDUCTOR, COPPER, BARE, #4
5	CNN CP 002	1	CONNECTOR, AL. COMP., SIDE-BY, 6-2 2-1/0
6	CNN CP 008	1	CONNECTOR, AL. COMP., SIDE-BY, 6-2 3/0-4/0
7	CNN VG 003	2	CONNECTOR, VISE GRIP, 6-2 SOL. 10-2 SOL.
8	COV IC 002	1	COVER, INSULATED, "D" SIZE CONNECTORS/SLEEVES
9	WAS RD 004	3	WASHER, ROUND, 1-3/4 IN. DIA., FOR 5/8 IN. DIA. BOLT
10	WAS SF 003	3	WASHER, SQUARE, FLAT, 3 IN., FOR 3/4 IN. DIA. BOLT
11	WAS SP 002	3	WASHER, SPRING, DOUBLE HELIX, FOR 3/4 IN. DIA. BOLT



## L13 - OBSTRUCTION LIGHT

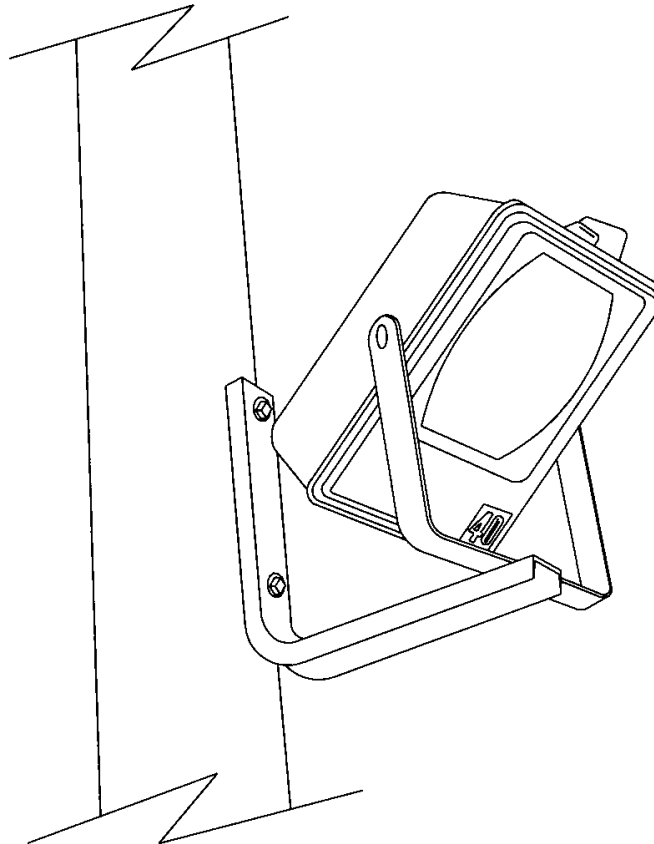
OPTIONS: NONE  
BOLT PLATE: NONE



NO.	ITEM ID	QTY	DESCRIPTION
1	XXX ZZ 075	8	NIPPLE, 1/2" X 1-1/2"
2	XXX ZZ 076	1	T CONNECTOR, 1/2"
3	XXX ZZ 077	2	ELBOW, 1/2"
4	CAI UF 001	30	CABLE, STREET LIGHT 12/2 UF CU W/O GROUND
5	CNN CP 002	2	CONNECTOR, AL. COMP., SIDE-BY, 6-2 2-1/0
6	COD ST 001	30	CONDUIT, STEEL, 1/2"
7	LAM IN 001	2	LAMP, INCANDESCENT, 69 WATT, 120V
8	LIG OB 001	1	LIGHT, OBSTRUCTION
9	STL PC 001	1	PHOTOCONTROL, ELECTRONIC
10	STL PC 004	1	PHOTOCONTROL BRACKET W/ RECEPTACLE
11	STP ST 002	8	STRAP, CONDUIT, 3/4"

**FL1 - SINGLE MOUNT FLOODLIGHT**  
**NO SECONDARY OBSTRUCTIONS**  
**200W HPS, 400W HPS, 320W MH**

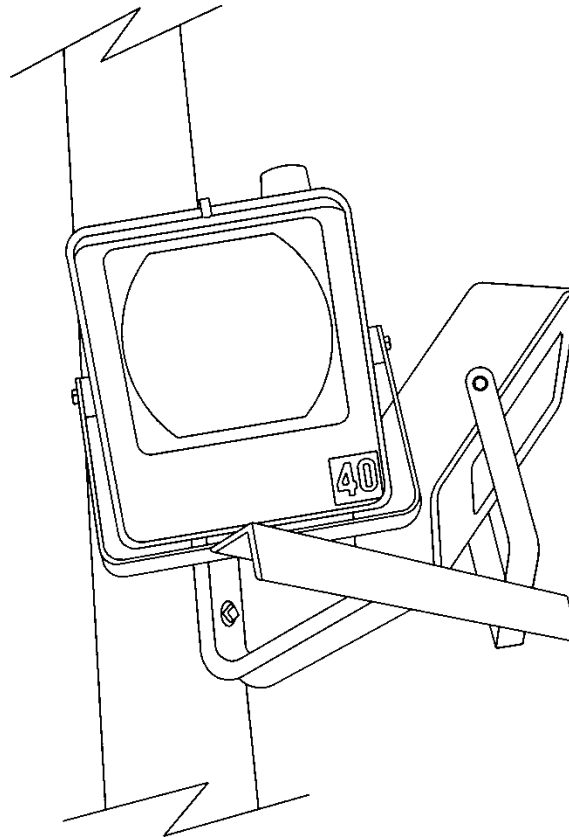
OPTIONS: 2H, 4H, 32M  
 BOLT PLATE: NONE



NO.	ITEM ID	QTY	DESCRIPTION
1	BKT SL 013	1	BRACKET, SINGLE MOUNT, FOR FLOODLIGHT
2	BOL MS 020	2	BOLT, MACHINE, SQUARE HEAD, 5/8X14
3	CNN CP 002	1	CONNECTOR, AL. COMP., SIDE-BY, 6-2 2-1/0
4	CNN CP 008	1	CONNECTOR, AL. COMP., SIDE-BY, 6-2 3/0-4/0
5	CNN VG 002	2	CONNECTOR, VISE GRIP, 8-4 SOL. 12-4 SOL.
6	COB CO 028	3	CONDUCTOR, COPPER, BARE, #4
7	COV IC 002	1	COVER, INSULATED, "D" SIZE CONNECTORS/SLEEVES
8	STL FL ***	1	GENERAL CODE FOR FLOODLIGHT FIXTURE
9	STL LA ***	1	GENERAL CODE FOR LAMP
10	STL PC 001	1	PHOTOCONTROL, ELECTRONIC, TWIST-LOCK
11	WAS RD 004	4	WASHER, ROUND, 1-3/4 IN. DIA., FOR 5/8 IN. DIA. BOLT
12	WAS SF 003	2	WASHER, SQUARE, FLAT, 3 IN., FOR 3/4 IN. DIA. BOLT
13	WAS SP 002	2	WASHER, SPRING, DOUBLE HELIX, FOR 3/4 IN. DIA. BOLT

**FL2 - DOUBLE MOUNT FLOODLIGHT  
NO SECONDARY OBSTRUCTIONS  
200W HPS, 400W HPS, 320W MH**

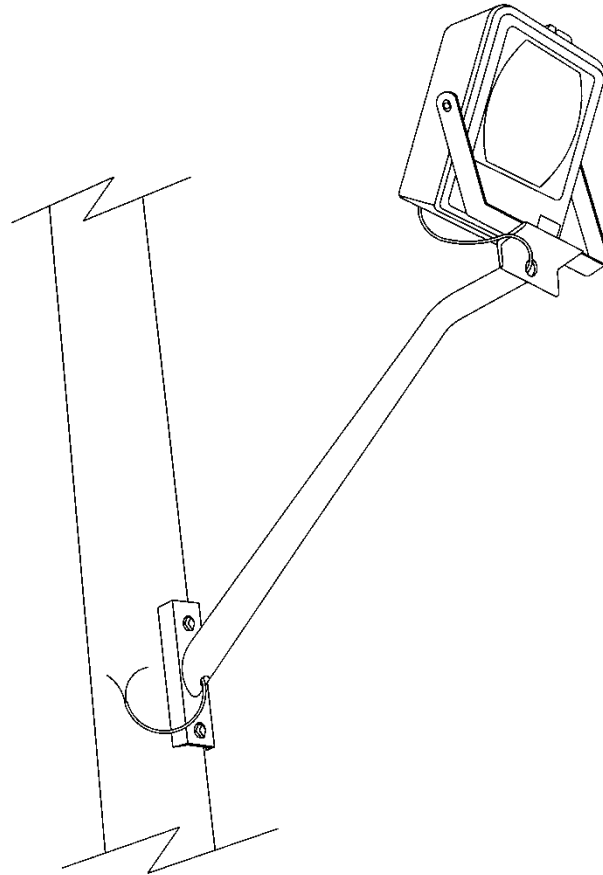
OPTIONS: 2H, 4H, 32M  
BOLT PLATE: NONE



NO.	ITEM ID	QTY	DESCRIPTION
1	BKT SL 012	1	BRACKET, FLOODLIGHT ADAPTER
2	BKT SL 013	1	BRACKET, SINGLE MOUNT, FOR FLOODLIGHT
3	BOL MS 020	2	BOLT, MACHINE, SQUARE HEAD, 5/8X14
4	CNN CP 002	2	CONNECTOR, AL. COMP., SIDE-BY, 6-2 2-1/0
5	CNN CP 008	2	CONNECTOR, AL. COMP., SIDE-BY, 6-2 3/0-4/0
6	CNN VG 002	3	CONNECTOR, VISE GRIP, 8-4 SOL. 12-4 SOL.
7	COB CO 028	3	CONDUCTOR, COPPER, BARE, #4
8	COV IC 002	2	COVER, INSULATED, "D" SIZE CONNECTORS/SLEEVES
9	STL FL ***	2	GENERAL CODE FOR FLOODLIGHT FIXTURE
10	STL LA ***	2	GENERAL CODE FOR LAMP
11	STL PC 001	2	PHOTOCONTROL, ELECTRONIC, TWIST-LOCK
12	WAS RD 004	4	WASHER, ROUND, 1-3/4 IN. DIA., FOR 5/8 IN. DIA. BOLT
13	WAS SF 003	2	WASHER, SQUARE, FLAT, 3 IN., FOR 3/4 IN. DIA. BOLT
14	WAS SP 002	2	WASHER, SPRING, DOUBLE HELIX, FOR 3/4 IN. DIA. BOLT

**FL3 - SINGLE MOUNT FLOODLIGHT  
WITH SECONDARY OBSTRUCTIONS  
200W HPS, 400W HPS, 320W MH**

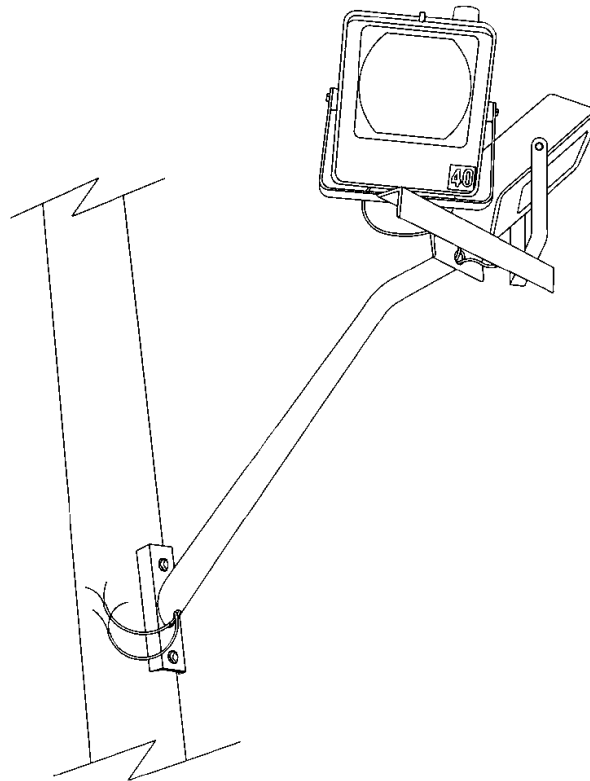
OPTIONS: 2H, 4H, 32M  
BOLT PLATE: NONE



NO.	ITEM ID	QTY	DESCRIPTION
1	BKT SL 011	1	BRACKET, SINGLE MOUNT, FOR FLOODLIGHT, 4 FOOT LENGTH
2	BOL MS 020	2	BOLT, MACHINE, SQUARE HEAD, 5/8X14
3	CNN CP 002	1	CONNECTOR, AL. COMP., SIDE-BY, 6-2 2-1/0
4	CNN CP 008	1	CONNECTOR, AL. COMP., SIDE-BY, 6-2 3/0-4/0
5	CNN VG 002	2	CONNECTOR, VISE GRIP, 8-4 SOL. 12-4 SOL.
6	COB CO 028	3	CONDUCTOR, COPPER, BARE, #4
7	COV IC 002	1	COVER, INSULATED, "D" SIZE CONNECTORS/SLEEVES
8	STL FL ***	1	GENERAL CODE FOR FLOODLIGHT FIXTURE
9	STL LA ***	1	GENERAL CODE FOR LAMP
10	STL PC 001	1	PHOTOCONTROL, ELECTRONIC, TWIST-LOCK
11	WAS RD 004	4	WASHER, ROUND, 1-3/4 IN. DIA., FOR 5/8 IN. DIA. BOLT
12	WAS SF 003	2	WASHER, SQUARE, FLAT, 3 IN., FOR 3/4 IN. DIA. BOLT
13	WAS SP 002	2	WASHER, SPRING, DOUBLE HELIX, FOR 3/4 IN. DIA. BOLT

**FL4 - DOUBLE MOUNT FLOODLIGHT  
WITH SECONDARY OBSTRUCTIONS  
200W HPS, 400W HPS, 320W MH**

OPTIONS: 2H, 4H, 4M  
BOLT PLATE: NONE



NO.	ITEM ID	QTY	DESCRIPTION
1	BKT SL 011	1	BRACKET, SINGLE MOUNT, FOR FLOODLIGHT, 4 FOOT LENGTH
2	BKT SL 012	1	BRACKET, FLOODLIGHT ADAPTER
3	BOL MS 020	2	BOLT, MACHINE, SQUARE HEAD, 5/8X14
4	CNN CP 002	2	CONNECTOR, AL. COMP., SIDE-BY, 6-2 2-1/0
5	CNN CP 008	2	CONNECTOR, AL. COMP., SIDE-BY, 6-2 3/0-4/0
6	CNN VG 002	3	CONNECTOR, VISE GRIP, 8-4 SOL. 12-4 SOL.
7	COB CO 028	3	CONDUCTOR, COPPER, BARE, #4
8	COV IC 002	2	COVER, INSULATED, "D" SIZE CONNECTORS/SLEEVES
9	STL FL ***	2	GENERAL CODE FOR FLOODLIGHT FIXTURE
10	STL LA ***	2	GENERAL CODE FOR LAMP
11	STL PC 001	2	PHOTOCONTROL, ELECTRONIC, TWIST-LOCK
12	WAS RD 004	4	WASHER, ROUND, 1-3/4 IN. DIA., FOR 5/8 IN. DIA. BOLT
13	WAS SF 003	2	WASHER, SQUARE, FLAT, 3 IN., FOR 3/4 IN. DIA. BOLT
14	WAS SP 002	2	WASHER, SPRING, DOUBLE HELIX, FOR 3/4 IN. DIA. BOLT