



Procurement Department Bid Section

November 26, 2024

ADDENDUM NUMBER: THREE (3)

TITLE: 1411829647 (RFP) 15kV Substation Switchgear Projects

PROPOSAL DUE DATE: December 03, 2024

TIME OF RECEIPT: 12:00 PM EST

**THIS ADDENDUM IS FOR THE PURPOSE OF MAKING THE FOLLOWING CHANGES OR CLARIFICATIONS:**

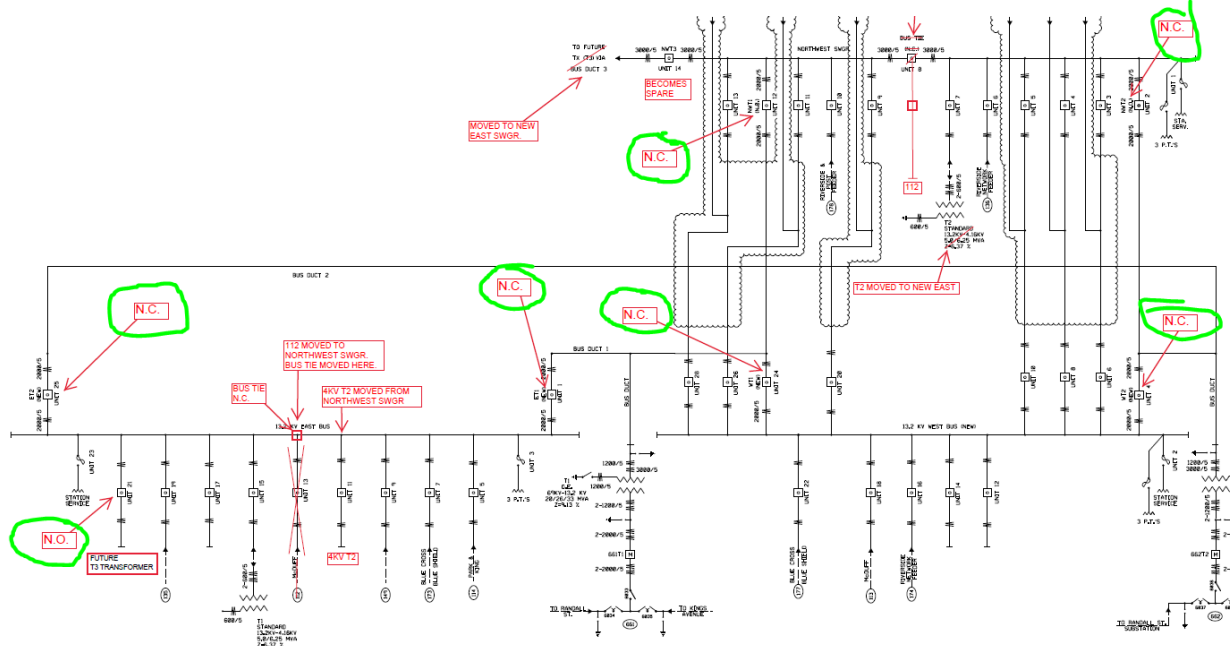
- Add:** JEA adds "1411829647 Addendum 3 - College St Single Line Changes" document.

As a summary, both attachments show the following.

- The T3 transformer being moved to a different switchgear.
- Location of the bus tie being moved to a different switchgear.
- Location of the 4kV load being moved to another switchgear.

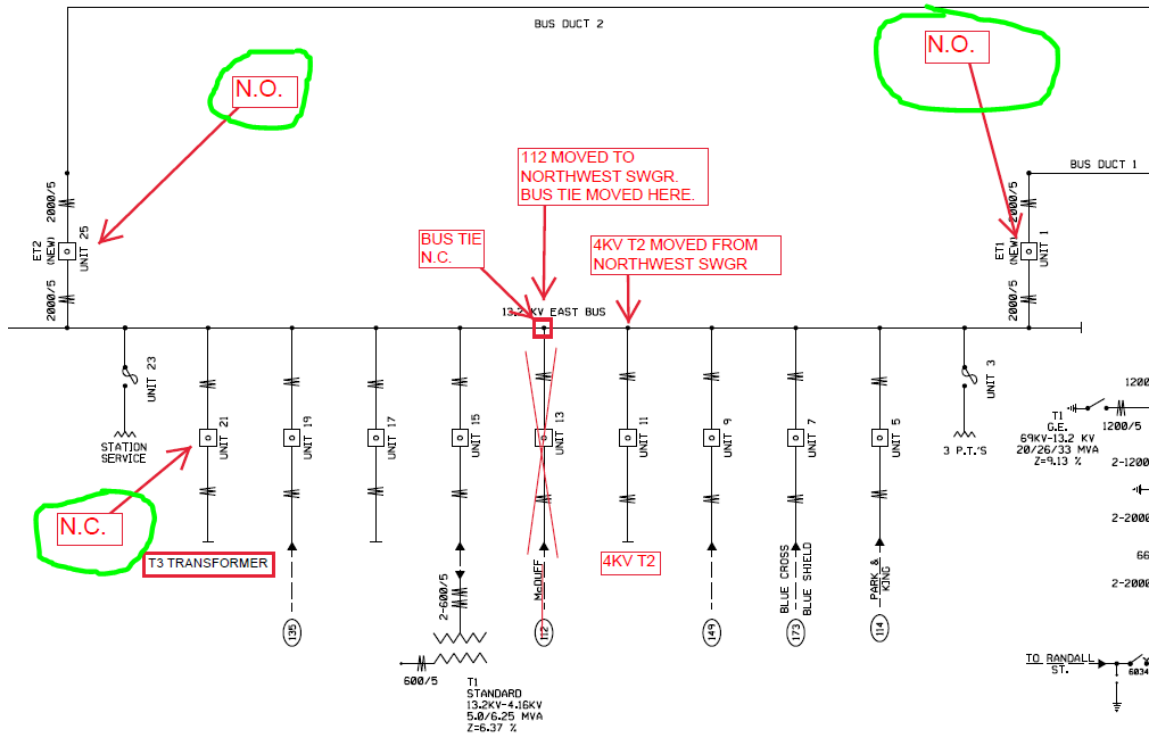
Attachment 1 (After This Project)

- Status of the switches being modified from the single line originally provided, showing the switchgears being in parallel.



Attachment 2 (single line after the future T3 addition project has been completed)

- T3 being energized.
- Status of the switches being modified. One of the switchgears will only be fed from T3 during normal operation. The two other switchgears to remain as parallel.



2. Question:

**ACKNOWLEDGE RECEIPT OF THIS ADDENDUM ON THE PROPOSAL FORM.**