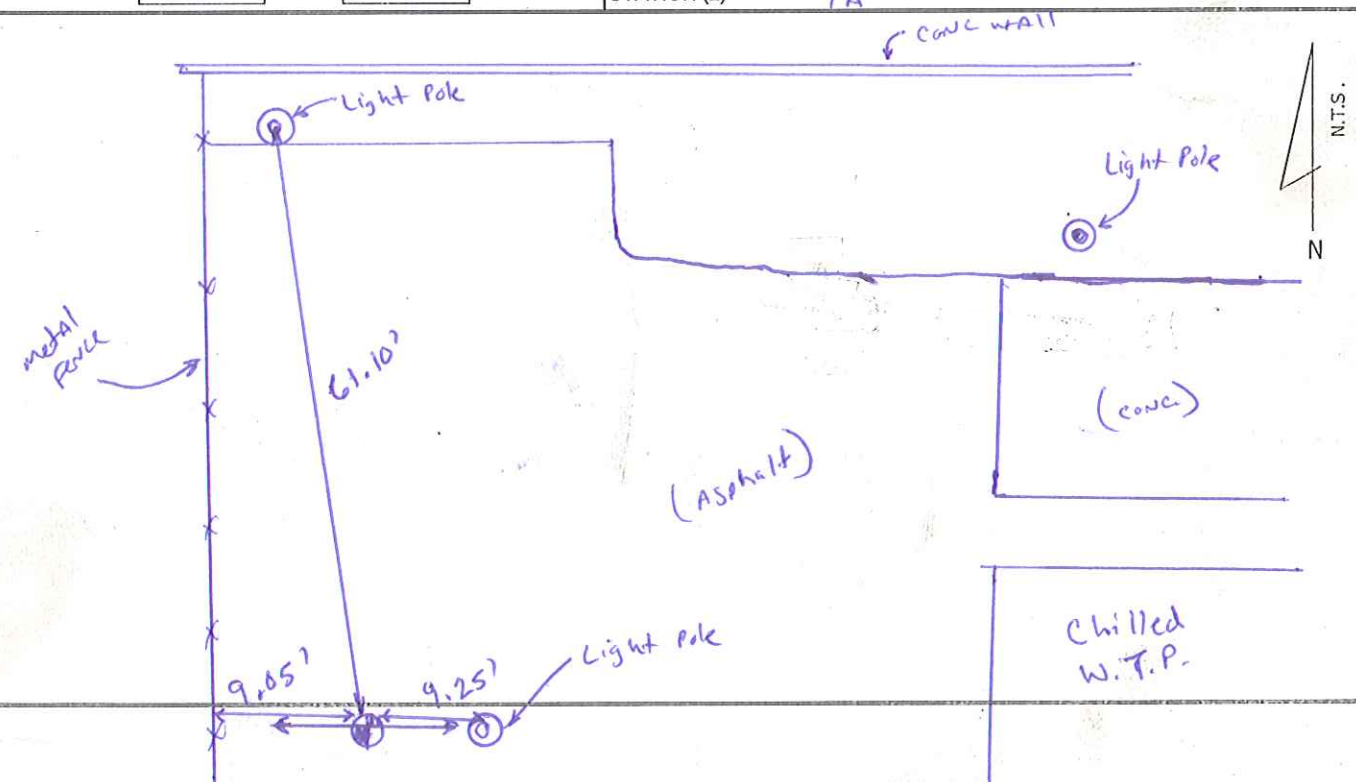
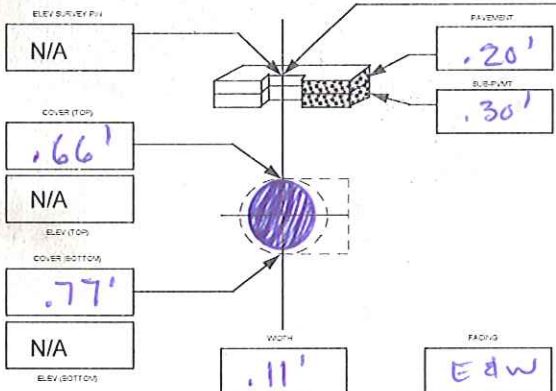


SPRINGFIELD PLANT EMERGENCY GENERATOR
SUE TEST HOLE REPORTS

VACUUM TEST HOLE REPORT

Test Hole No.: 1
 FRA Job No.: 2984

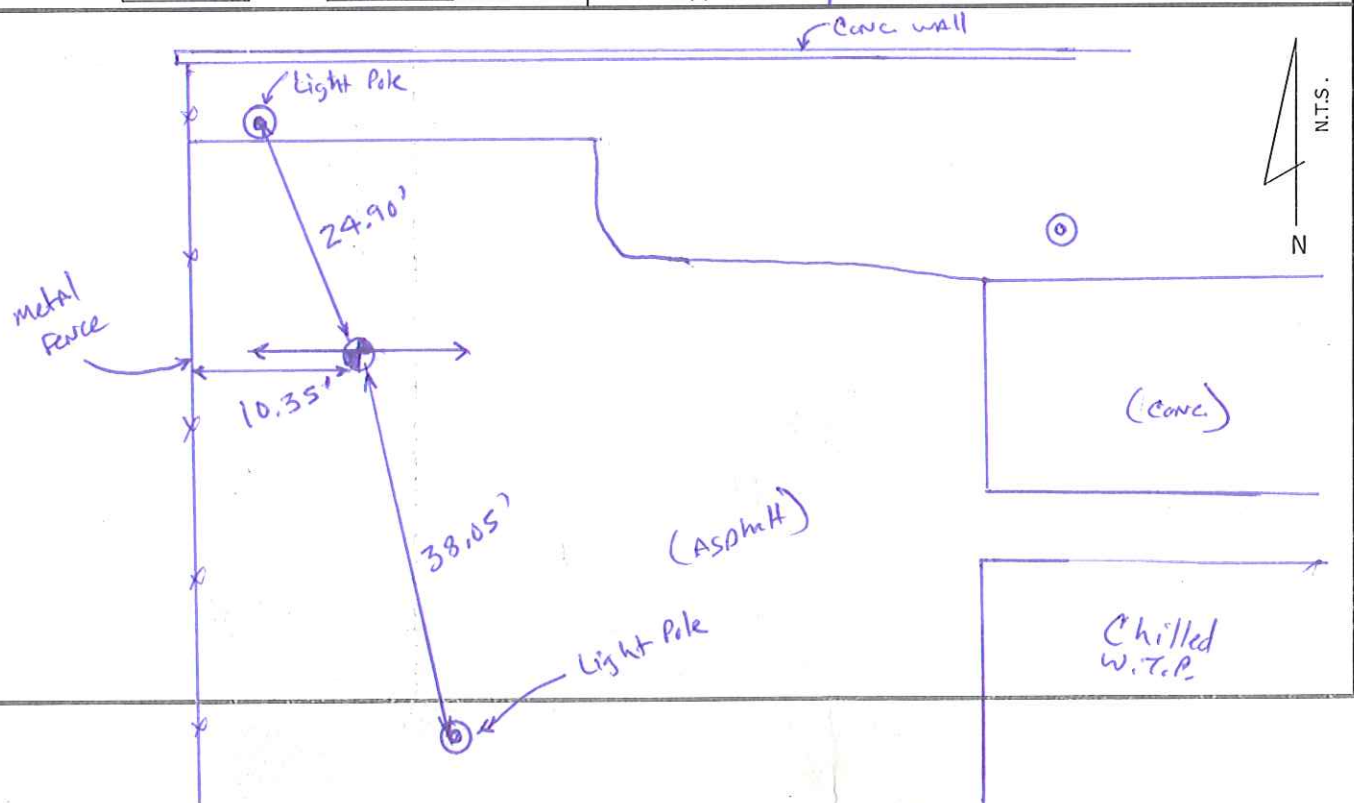
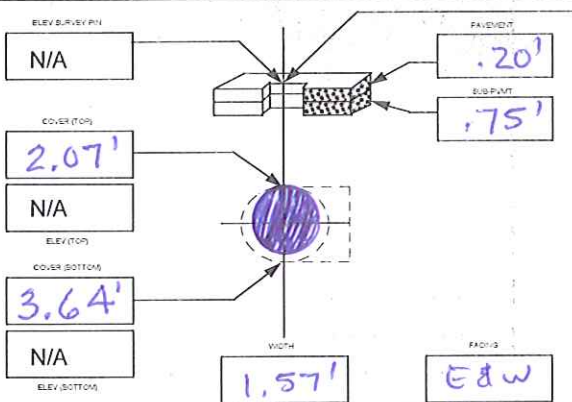
PROJECT NAME: Springfield WTP	Subcontract No.:	WORK ORDER No.:	26
LOCATE REQUESTED BY: R.E. Holland & Associates	PAVEMENT TYPE:		
REQUESTED LOCATE: GAS STORM SAN. COMMUNICATION FORCE MAIN CATV WATER TEL. ELECTRIC RAW WATER UNKNOWN RECLAIMED WATER N/A FIBER OPTIC CABLE	ASPHALT CONCRETE ASPHALT OVER CONCRETE GRAVEL BRICKS SIDEWALK N/A		
LOCATED UTILITY: GAS STORM SAN. COMMUNICATION FORCE MAIN CATV WATER TEL. ELECTRIC RAW WATER UNKNOWN RECLAIMED WATER N/A FIBER OPTIC CABLE	PAVEMENT CONDITION: GOOD FAIR POOR N/A		
MATERIAL AS FOUND: D/I C/I STEEL WRAP-STEEL TILE PLASTIC TERRA COTTA ACP RCP CMP PVC UNK DB CABLE SMOOTH POUR ROUGH POUR GAW OTHER	SHEET No.: N/A	PROPOSED: New Utilities Roadway Mast Arm/Signal Pole Drainage	
SIZE AS FOUND: 1" SIZE EXPECTED: 1"	NUMBER OF HOLES: 1	Date: 9-4-18	TIME: _____
UTILTY CONDITION: GOOD FAIR POOR N/A	INSTALLED: PK HUB STEEL PIN CHIS "X" CHIS BOX		
RIBBON INSTALLED: BLUE YELLOW RED GREEN N/A ORANGE WHITE PINK PURPLE	AT: CROWN EDGE OF UTILITY:		
SURVEY PIN LOCATED BY: N/A			
JOB MEASUREMENT TYPE: TENTHS METRIC INCHES			
NOTES: Excavated to a depth of .66' Found a 1" GAW. Elec Line (JEA)			
SURVEY INFORMATION			
GIVEN ELEVATION _____			
STATION (±) N/A OFFSET: N/A LT / RT			



VACUUM TEST HOLE REPORT

Test Hole No.: 2
 FRA Job No.: 2984

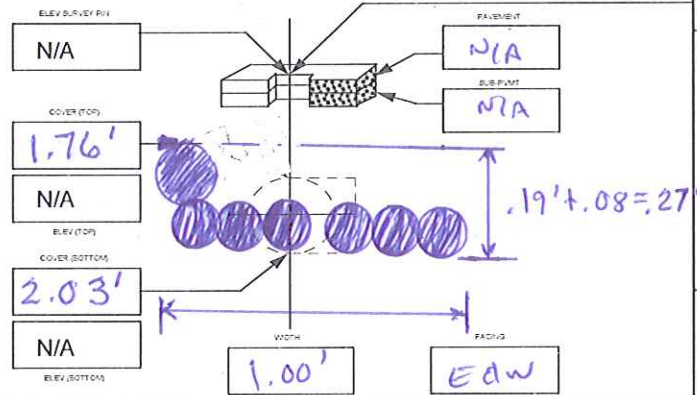
PROJECT NAME: Springfield WTP	Subcontract No.:	WORK ORDER No.:	26
LOCATE REQUESTED BY: R.E. Holland & Associates	PAVEMENT TYPE:		
REQUESTED LOCATE: GAS <u>STORM</u> SAN. COMMUNICATION FORCE MAIN CATV WATER TEL. ELECTRIC RAW WATER UNKNOWN RECLAIMED WATER N/A FIBER OPTIC CABLE	<u>ASPHALT</u> CONCRETE ASPHALT OVER CONCRETE GRAVEL BRICKS SIDEWALK N/A		
LOCATED UTILITY: GAS <u>STORM</u> SAN. COMMUNICATION FORCE MAIN CATV WATER TEL. ELECTRIC RAW WATER UNKNOWN RECLAIMED WATER N/A FIBER OPTIC CABLE	PAVEMENT CONDITION: <u>GOOD</u> FAIR POOR N/A		
MATERIAL AS FOUND: D/I C/I STEEL WRAP-STEEL TILE PLASTIC TERRA COTTA ACP RCP CMP <u>PVC</u> UNK DB CABLE SMOOTH POUR ROUGH POUR OTHER	SOIL CONDITIONS: HARD <u>SOFT</u> WET MOIST <u>DRY</u> SAND CLAY ROCK <u>DIRT</u> SOLID-ROCK		
SIZE AS FOUND: <u>16"</u> SIZE EXPECTED: <u>16"</u>	SHEET No.:	PROPOSED: New Utilities Roadway Mast Arm/Signal Pole Drainage	
UTILITY CONDITION: <u>GOOD</u> FAIR POOR N/A	FORM BY: C.Reyes	ASSISTED BY: <u>T.G</u>	
RIBBON INSTALLED: BLUE YELLOW RED <u>GREEN</u> N/A ORANGE WHITE PINK PURPLE	NUMBER OF HOLES: 1	Date: <u>9-4-18</u>	TIME: _____
	INSTALLED: <u>PK</u> HUB STEEL PIN CHIS "X" CHIS BOX		
	AT: <u>CROWN</u> EDGE OF UTILITY:		
	SURVEY PIN LOCATED BY: N/A		
	JOB MEASUREMENT TYPE: <u>TENTHS</u> METRIC INCHES		
	NOTES: Excavated to a depth of <u>2.07'</u> <u>Found sewer a 16" PVC storm</u>		
	SURVEY INFORMATION		
	GIVEN ELEVATION _____		
	STATION (±) <u>N/A</u>	OFFSET: <u>N/A</u>	LT / RT



VACUUM TEST HOLE REPORT

Test Hole No.: 3
 FRA Job No.: 2984

PROJECT NAME: Springfield WTP	Subcontract No.:	WORK ORDER No.:	26
LOCATE REQUESTED BY: R.E. Holland & Associates	PAVEMENT TYPE:		
REQUESTED LOCATE: GAS STORM SAN. COMMUNICATION FORCE MAIN CATV WATER TEL. ELECTRIC RAW WATER UNKNOWN RECLAIMED WATER N/A FIBER OPTIC CABLE	ASPHALT CONCRETE ASPHALT OVER CONCRETE GRAVEL BRICKS SIDEWALK N/A		
LOCATED UTILITY: GAS STORM SAN. COMMUNICATION FORCE MAIN CATV WATER TEL. ELECTRIC RAW WATER UNKNOWN RECLAIMED WATER N/A FIBER OPTIC CABLE	PAVEMENT CONDITION: GOOD FAIR POOR N/A		
MATERIAL AS FOUND: D/I C/I STEEL WRAP-STEEL TILE PLASTIC TERRA COTTA ACP RCP CMP PVC UNK DB CABLE SMOOTH POUR ROUGH POUR OTHER	SOIL CONDITIONS: HARD SOFT WET MOIST DRY SAND CLAY ROCK DIRT SOLID-ROCK		
SIZE AS FOUND: 1-2", 6-1" SIZE EXPECTED: 2" x 1"	SHEET No.: N/A	PROPOSED: New Utilities Roadway Mast Arm/Signal Pole Drainage	
UTILITY CONDITION: GOOD FAIR POOR N/A	FORM BY: C.Reyes	ASSISTED BY: T.G	
RIBBON INSTALLED: BLUE YELLOW RED GREEN N/A ORANGE WHITE PINK PURPLE	NUMBER OF HOLES: 1	Date: 9-4-18	TIME: _____
	INSTALLED: PK HUB STEEL PIN CHIS "X" CHIS BOX		
	AT: CROWN EDGE OF UTILITY:		
	SURVEY PIN LOCATED BY: N/A		



JOB MEASUREMENT TYPE: TENTHS METRIC INCHES

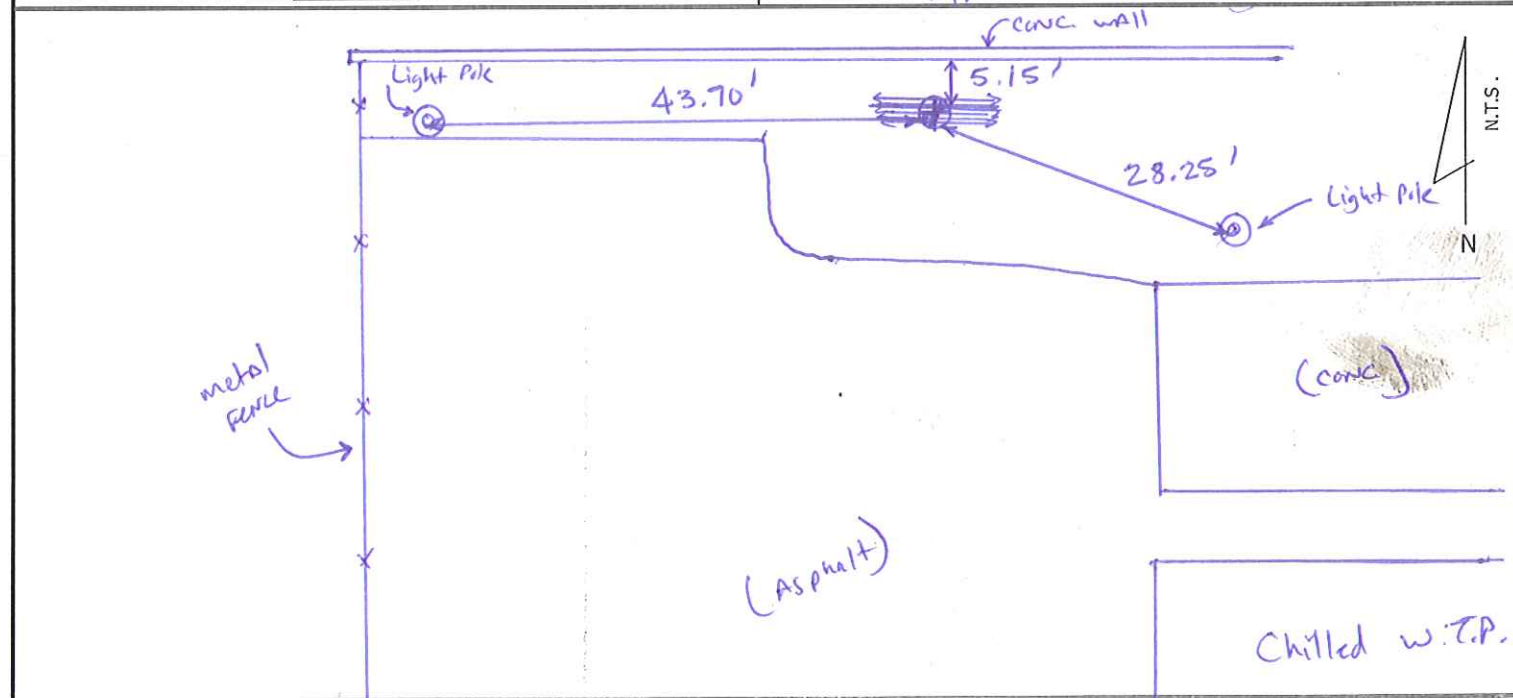
NOTES: Excavated to a depth of **3.00'**

Found 1-2" & 6-1" PVC Elec/comm Duct at a depth of 1.76' (501A)

SURVEY INFORMATION

GIVEN ELEVATION _____

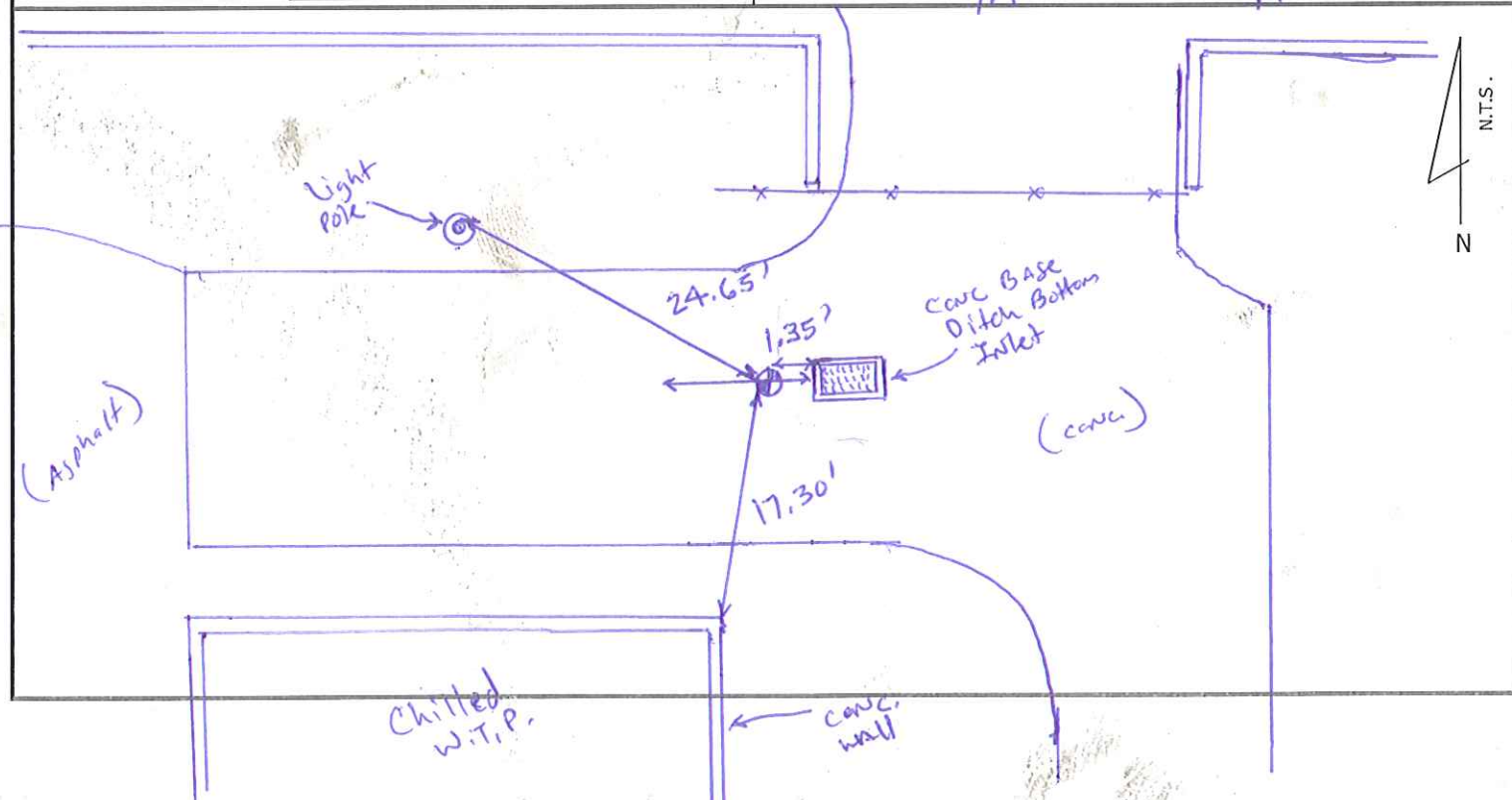
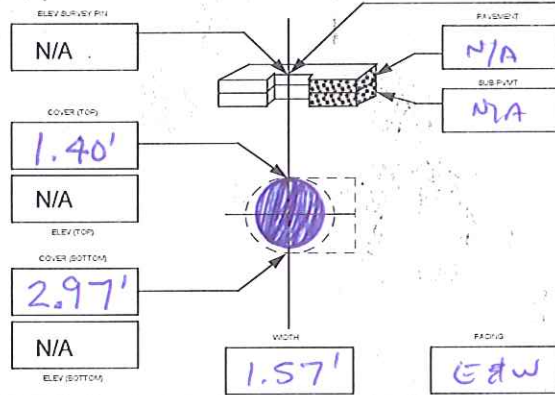
STATION (±) **N/A** OFFSET: **N/A** LT / RT



VACUUM TEST HOLE REPORT

Test Hole No.: 4
 FRA Job No.: 2984

PROJECT NAME: Springfield WTP	Subcontract No.:	WORK ORDER No.:	26
LOCATE REQUESTED BY: R.E. Holland & Associates	PAVEMENT TYPE: CONCRETE ASPHALT OVER CONCRETE GRAVEL BRICKS SIDEWALK N/A		
REQUESTED LOCATE: GAS STORM SAN. COMMUNICATION FORCE MAIN CATV WATER TEL. ELECTRIC RAW WATER UNKNOWN RECLAIMED WATER N/A FIBER OPTIC CABLE	PAVEMENT CONDITION: GOOD FAIR POOR N/A		
LOCATED UTILITY: GAS STORM SAN. COMMUNICATION FORCE MAIN CATV WATER TEL. ELECTRIC RAW WATER UNKNOWN RECLAIMED WATER N/A FIBER OPTIC CABLE	SOIL CONDITIONS: HARD SOFT WET MOIST DRY N/A SAND CLAY ROCK DIRT SOLID-ROCK		
MATERIAL AS FOUND: D/I C/I STEEL WRAP-STEEL TILE PLASTIC TERRA COTTA ACP RCP CMP PVC UNK DB CABLE SMOOTH POUR ROUGH POUR OTHER	SHEET No.: N/A	PROPOSED: New Utilities Roadway Mast Arm/Signal Pole Drainage	
SIZE AS FOUND: 16" SIZE EXPECTED: 16"	FORM BY: C.Reyes	ASSISTED BY: T.G	
UTILTIY CONDITION: GOOD FAIR POOR N/A	NUMBER OF HOLES: 1	Date: 9-4-18	TIME: _____
RIBBON INSTALLED: BLUE YELLOW RED GREEN <i>Paint</i> N/A ORANGE WHITE PINK PURPLE	INSTALLED: PK HUB STEEL PIN CHIS "X" CHIS BOX	AT: CROWN EDGE OF UTILITY:	
	SURVEY PIN LOCATED BY: N/A		
	JOB MEASUREMENT TYPE: <u>TENTHS</u> METRIC INCHES		
	NOTES: Excavated to a depth of 1.40' Found a 16" PVC storm sewer		
	SURVEY INFORMATION		
	GIVEN ELEVATION _____		
	STATION (±) N/A	OFFSET: N/A	LT / RT





F.R. ALEMAN
& Associates, Inc.
CONSULTING ENGINEERS
6196 Lake Gray Boulevard, Suite 101
Jacksonville, Florida 32244
Telephone: (904) 779-5972
FAX: (904) 779-5974

FRA Job No.:	2984
Work Order No.:	26
Date:	8-27-18
Project Name:	Springfield WTP
Project Location:	12th St. west

Utility Designating Sketch

